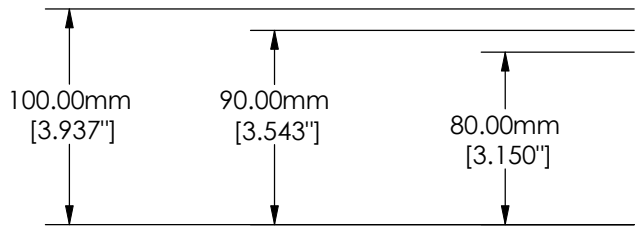
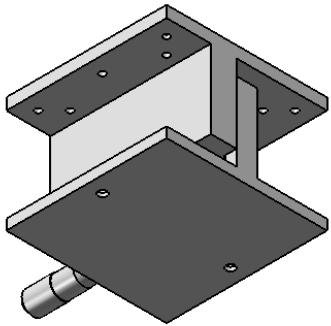
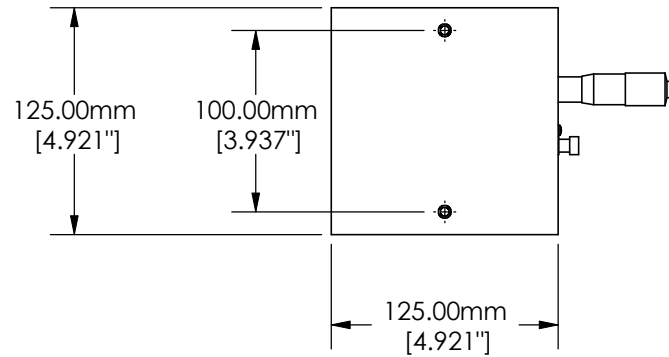
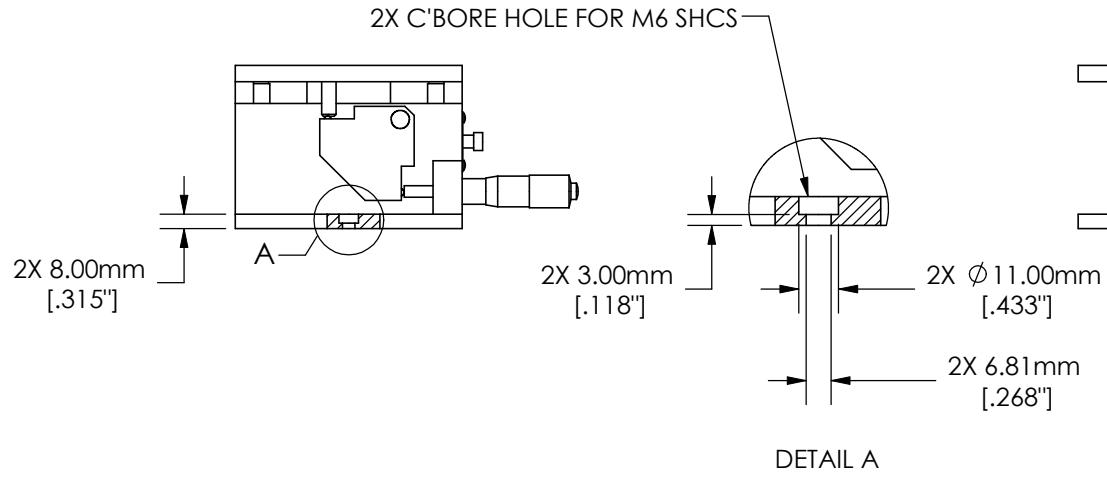
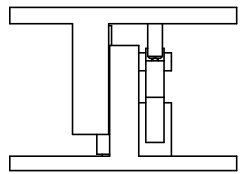


SPECIFICATIONS SUBJECT TO CHANGE WITHOUT NOTICE
 DIMENSIONS ARE FOR REFERENCE ONLY
 DIMENSIONS ARE IN mm [INCHES]

 Edmund Optics®	
TITLE	125mm, Metric Micrometer Z-Stage
DWG NO	66511
SHEET 1 OF 2	REV 000





SPECIFICATIONS SUBJECT TO CHANGE WITHOUT NOTICE
DIMENSIONS ARE FOR REFERENCE ONLY
DIMENSIONS ARE IN mm [INCHES]

EO® Edmund Optics®

TITLE	125mm, Metric Micrometer Z-Stage		
DWG NO	66511	SHEET 2 OF 2	REV 000

Enable 3D View