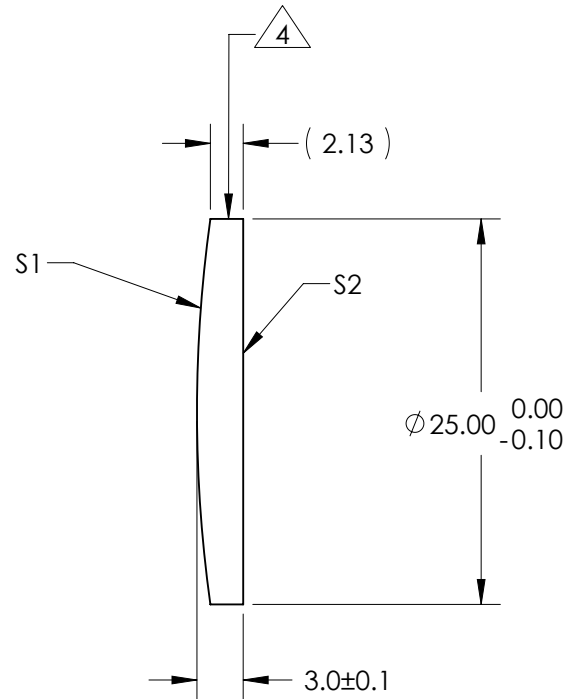



NOTES:

1. ALLOWABLE OPTICAL MATERIAL:  
OPTICAL GRADE GERMANIUM  
UNCOATED TRANSMISSION >45% AT 4 MICRONS  
FOR 5mm THICK SAMPLE
2. CENTERING TOLERANCE:  
BEAM DEVIATION: <3 ARCMIN
3. COATING (APPLY ACROSS COATING APERTURE)  
S1: NONE  
S2: NONE

4. DIAMOND TURNED



**FOR INFORMATION ONLY:  
DO NOT MANUFACTURE PARTS TO THIS DRAWING**

	S1	S2	EFL (AT 10.6 microns)	30.00	 <b>Edmund Optics®</b>	
SHAPE	CONVEX	PLANO	BFL (AT 10.6 microns)	29.25		
RADIUS	90.12	INFINITY	ALL DIMS IN	mm	DWG NO	69638
SURFACE QUALITY	60-40	60-40				
CLEAR APERTURE	∅ 24	∅ 24				
BEVEL MAX FACE	0.3mm x 45°	0.3mm x 45°				SHEET 1 OF 1