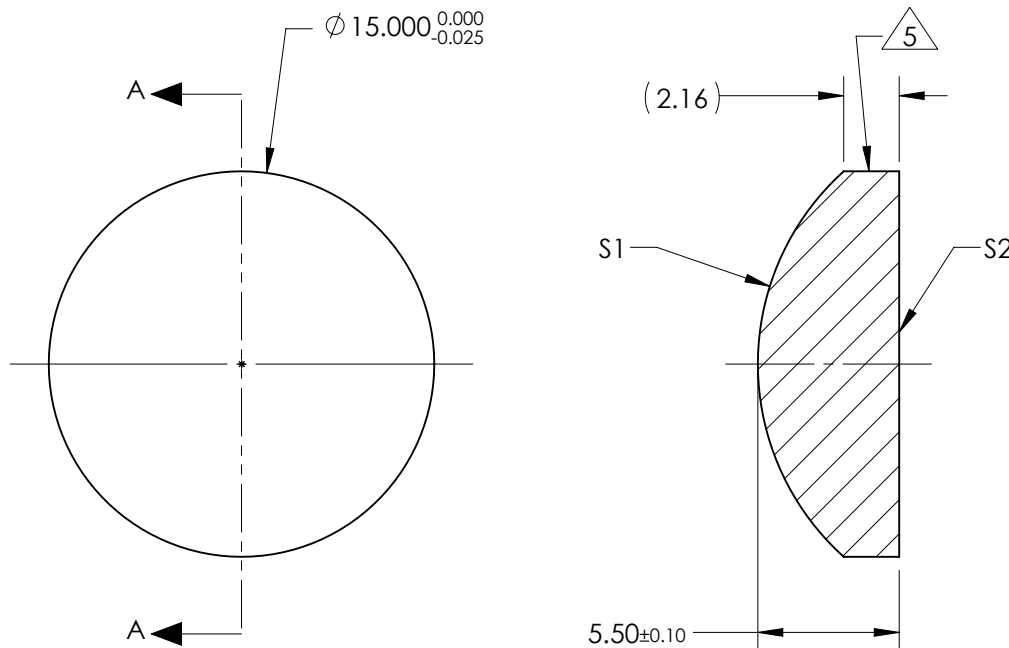


NOTES:

1. SUBSTRATE:  
GRADE A FINE ANNEALED  
SCHOTT: N-SF5 673/322
2. ROHS COMPLIANT
3. CENTERING TOLERANCE (AT 587.6nm):  
BEAM DEVIATION (HALF ANGLE): <1 ARCMIN
4. COATING (APPLY ACROSS COATING APERTURE)  
S1 & S2: 785nm V-COAT  
R(ABS) < 0.25% @ 785nm @ 0° AOI
5. FINE GRIND SURFACE
6. POWER, IRREGULARITY, AND SURFACE QUALITY SPECIFICATIONS APPLY ACROSS CLEAR APERTURE
7. FOCAL LENGTH (EFL): 15.00mm±1%  
BACK FOCAL LENGTH (BFL): 11.71mm
8. PROTECTIVE BEVEL AS NEEDED
9. DESIGN WAVELENGTH: 587.6nm



SECTION A-A

**FOR INFORMATION ONLY:  
DO NOT MANUFACTURE  
PARTS TO THIS DRAWING**

|                         | S1           | S2           |
|-------------------------|--------------|--------------|
| SHAPE                   | CONVEX       | PLANO        |
| RADIUS                  | 10.09        | INFINITY     |
| SURFACE QUALITY         | 40 - 20      | 40 - 20      |
| MIN CLEAR APERTURE      | $\phi 14.00$ | $\phi 14.00$ |
| MIN COATING APERTURE    | $\phi 14.00$ | $\phi 14.00$ |
| POWER AT 632.8nm        | 3.00 RINGS   | 3.00 RINGS   |
| IRREGULARITY AT 632.8nm | 0.50 RINGS   | 0.50 RINGS   |

SPECIFICATIONS SUBJECT TO CHANGE WITHOUT NOTICE  
DIMENSIONS ARE FOR REFERENCE ONLY

**EO**® Edmund Optics®

|                        |    |        |   |
|------------------------|----|--------|---|
| THIRD ANGLE PROJECTION |    | TITLE  | 15.0mm Diameter x 15.0mm FL, 785nm V-Coat, PCX Lens |
| ALL DIMS IN            | mm | DWG NO | 87609   |
|                        |    |        | SHEET 1 OF 1  |