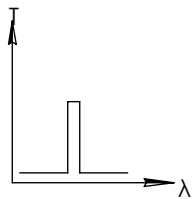
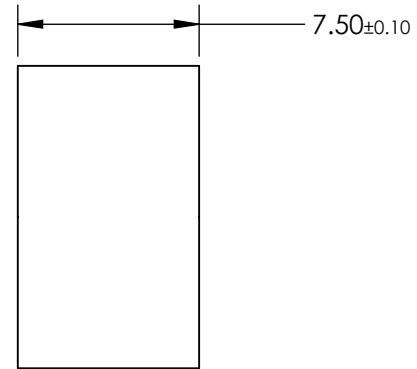
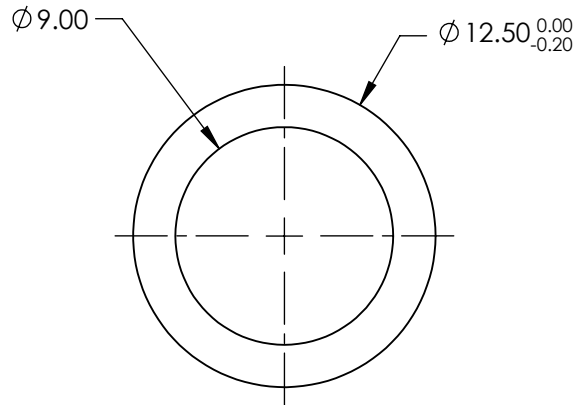
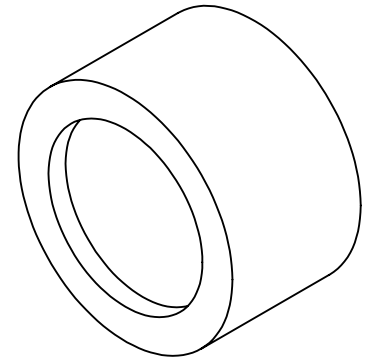


**FOR INFORMATION ONLY:  
DO NOT MANUFACTURE  
PARTS TO THIS DRAWING**



BANDPASS FILTER

	VALUE
OPTICAL DENSITY	$\geq 3.0$
CENTER WAVELENGTH (CWL)	$700 \pm 15 \text{ nm}$
FULL WIDTH HALF MAX (FWHM)	$80 \pm 15 \text{ nm}$
MINIMUM TRANSMISSION	$\geq 60 \%$
BLOCKING	200 - 1200nmnm
SURFACE QUALITY	80-50
CONSTRUCTION	MOUNTED IN BLACK ANODIZED RING
COATING TYPE	TRADITIONAL COATED

SPECIFICATIONS SUBJECT TO CHANGE WITHOUT NOTICE  
DIMENSIONS ARE FOR REFERENCE ONLY

**EO**® Edmund Optics®

THIRD ANGLE PROJECTION

TITLE	$\varnothing 12.5 \text{ mm}, 700 \text{ nm} \times 80 \text{ nm}, \text{ MOUNTED BANDPASS FILTER}$		
DWG NO	65738	SHEET	1 OF 1

ALL DIMS IN

mm