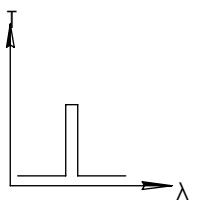
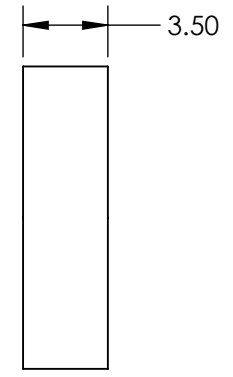
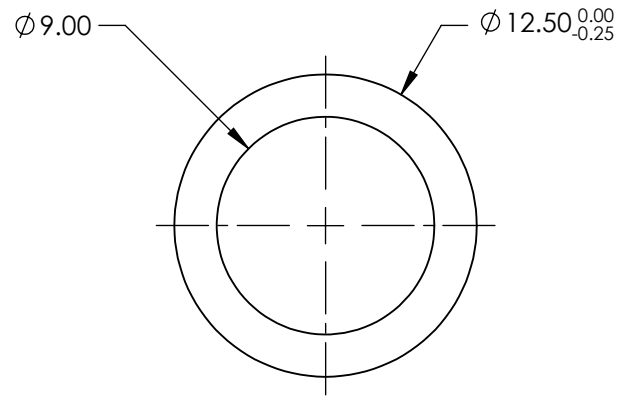
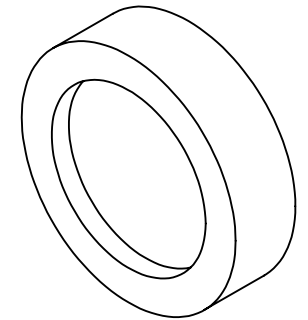


**FOR INFORMATION ONLY:  
DO NOT MANUFACTURE  
PARTS TO THIS DRAWING**



BANDPASS FILTER

	VALUE
OPTICAL DENSITY	$\geq 4.0$
CENTER WAVELENGTH (CWL)	239 +3.0/-0.0 nm
FULL WIDTH HALF MAX (FWHM)	10 $\pm$ 2 nm
MINIMUM TRANSMISSION	>15 %
BLOCKING	200 - 10000nm
SURFACE QUALITY	80-50
CONSTRUCTION	MOUNTED IN BLACK ANODIZED RING
COATING TYPE	TRADITIONAL COATED

SPECIFICATIONS SUBJECT TO CHANGE WITHOUT NOTICE  
DIMENSIONS ARE FOR REFERENCE ONLY



THIRD ANGLE PROJECTION	TITLE	$\phi 12.5\text{mm}$ , 239nm x 10nm, MOUNTED BANDPASS FILTER	
ALL DIMS IN mm	DWG NO	67738	SHEET 1 OF 1