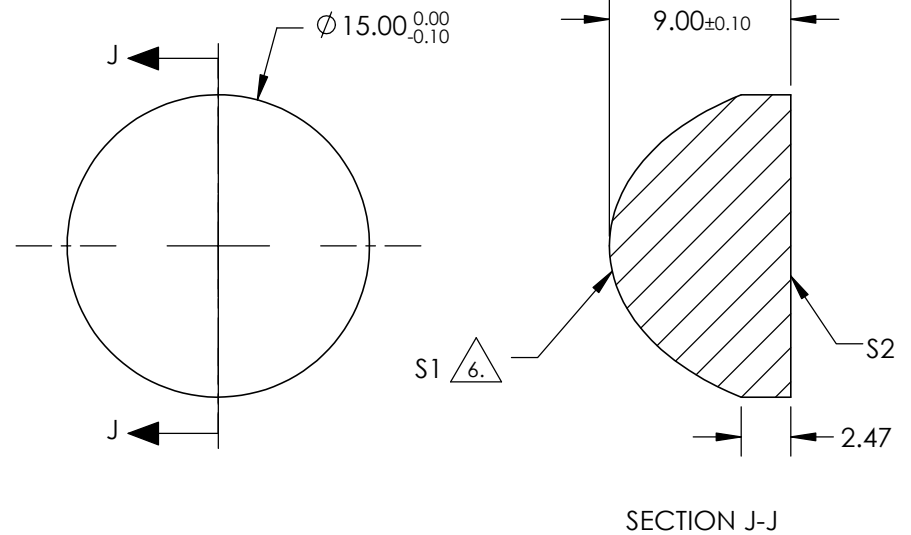


NOTES:

1. SUBSTRATE: FUSED SILICA
2. COATING (APPLY ACROSS CLEAR APERTURE)
 S1: R(abs) <0.25% @ 355nm
 S2: R(abs) <0.25% @ 355nm
3. EDGES: FINE GROUND
4. CENTERING: <3-5 ARCMIN
5. ASPHERE FIGURE ERROR: 0.75 μm RMS

△ ASPHERIC SURFACE DESCRIBED BY (REF. COEFFICIENT TABLE)

$$Z_{ASPH}(Y) = \frac{(\frac{1}{RADIUS}) * Y^2}{1 + \sqrt{1 - (1+k) * (\frac{1}{RADIUS})^2 * Y^2}} + D * Y^2 + E * Y^4 + F * Y^6 + G * Y^8 + H * Y^{10} + J * Y^{12} + L * Y^{14}$$



COEFFICIENT TABLE △7	
COEFFICIENT	S1
k	-1.123452
D	0.000000E+00
E	3.801254E-04
F	2.946223E-06
G	-1.655839E-08
H	5.349691E-10
J	0.000000E+00
L	0.000000E+00

**FOR INFORMATION ONLY:
DO NOT MANUFACTURE
PARTS TO THIS DRAWING**

SPECIFICATIONS SUBJECT TO CHANGE WITHOUT NOTICE DIMENSIONS ARE FOR REFERENCE ONLY

REV. A	S1	S2	EFL @ 587.6μm	12.5	Edmund Optics®		
SHAPE	CONVEX	PLANO	BFL @ 587.6μm	6.33			
RADIUS	5.731	INFINITY	THIRD ANGLE PROJECTION		TITLE	15mm DIA 0.60 NA, 355nm V-COAT, ASPHERIC LENS	
SURFACE QUALITY	60-40	60-40	ALL DIMS IN	mm	DWG NO	33009	SHEET 1 OF 1
CLEAR APERTURE	13.5	13.5					
BEVEL MAX	PROTECTIVE AS NEEDED	PROTECTIVE AS NEEDED					