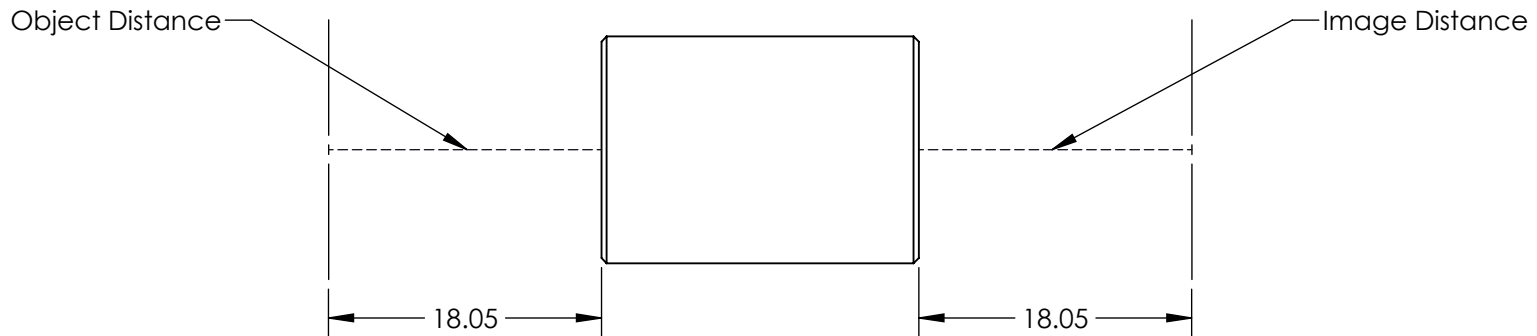
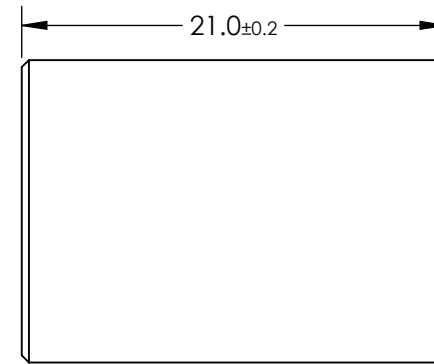
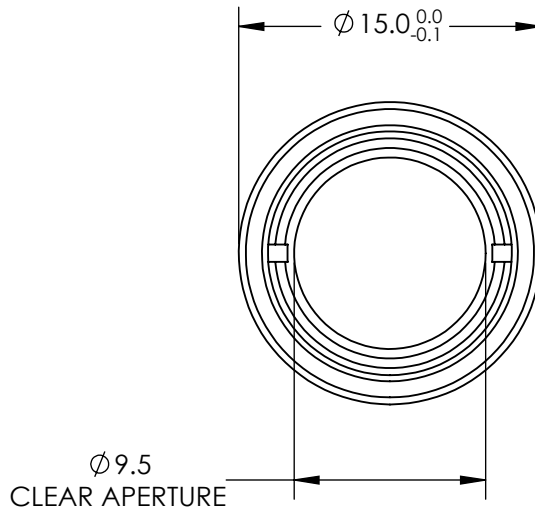
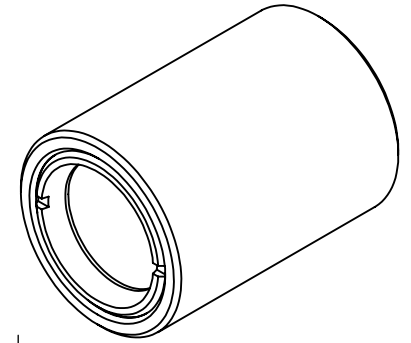


NOTES:

1. SUBSTRATE: N-BAF10 / N-SF10 / N-BAF10 / N-SF10

2. COATING: MgF₂
R(avg) ≤ 1.75% @ 400 - 700nm

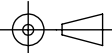
3. ROHS COMPLIANT



**FOR INFORMATION ONLY:
DO NOT MANUFACTURE
PARTS TO THIS DRAWING**

SPECIFICATIONS SUBJECT TO CHANGE WITHOUT NOTICE
DIMENSIONS ARE FOR REFERENCE ONLY

EO® Edmund Optics®

THIRD ANGLE PROJECTION 		TITLE	1:1 WITH 25mm AND 25mm EFL ACHROMATS, 15mm ACHROMATIC PAIR	
ALL DIMS IN	mm	DWG NO	55271	SHEET 1 OF 1