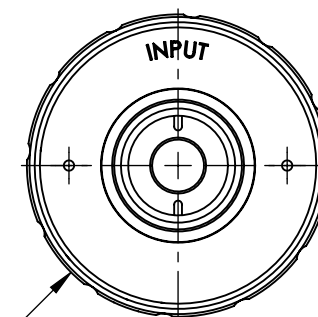
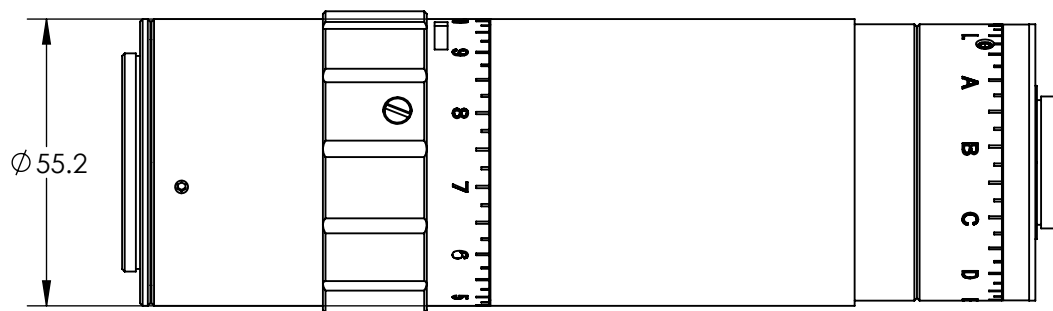
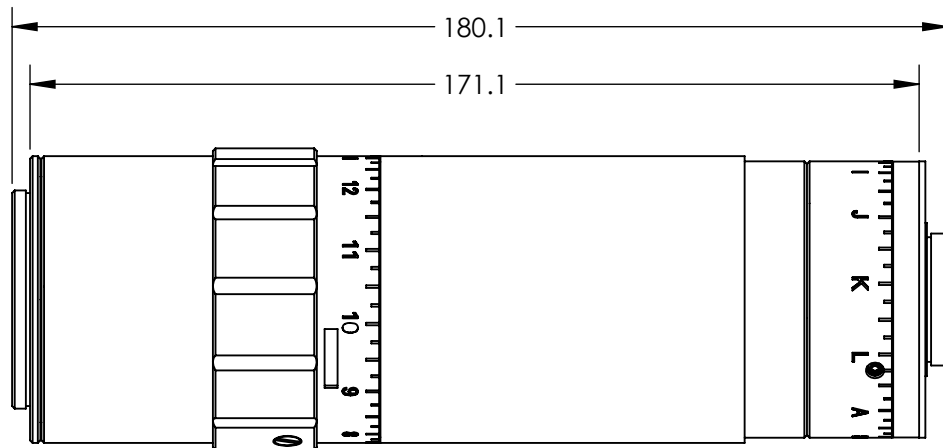
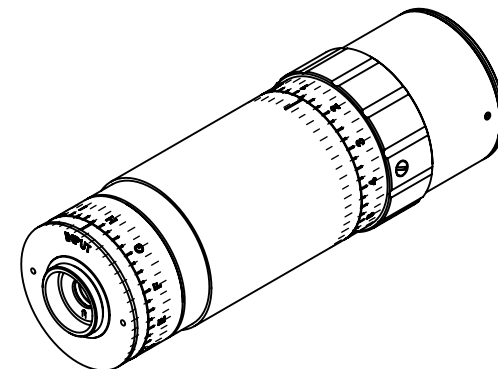


NOTES:

1. COATING (APPLY ACROSS CLEAR APERTURE)
LASER V-COAT
R(abs) 0.25% @ 532 nm
2. RoHS COMPLIANT



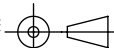
Ø58.2

**FOR INFORMATION ONLY:
DO NOT MANUFACTURE
PARTS TO THIS DRAWING**

SPECIFICATIONS SUBJECT TO CHANGE WITHOUT NOTICE
DIMENSIONS ARE FOR REFERENCE ONLY

REV. A	
DAMAGE THRESHOLD (PULSED)	5 J/cm ² @ 10ns, 20 Hz, 532nm
DESIGN WAVELENGTH DWL (nm)	532
TRANSMISSION	>97.5% @ DWL
TRANSMITTED WAVEFRONT, P-V	<λ/4 @ 532nm for Input Beam ≤5mm

THIRD ANGLE
PROJECTION



ALL DIMS IN

mm

EO® Edmund Optics®

TITLE

532 nm 1X - 3X VARIABLE BEAM EXPANDER

DWG NO

87561

SHEET
1 OF 1