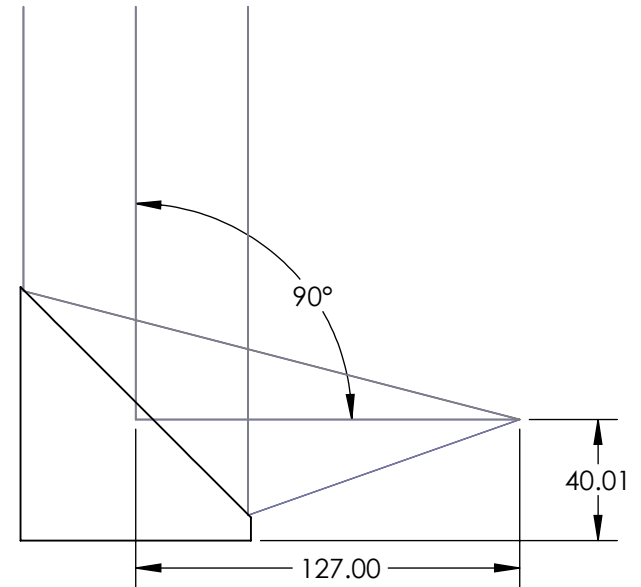
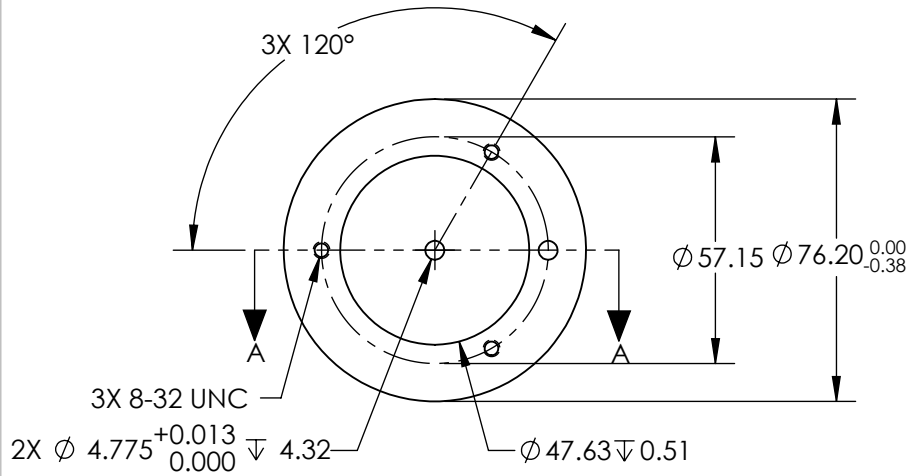
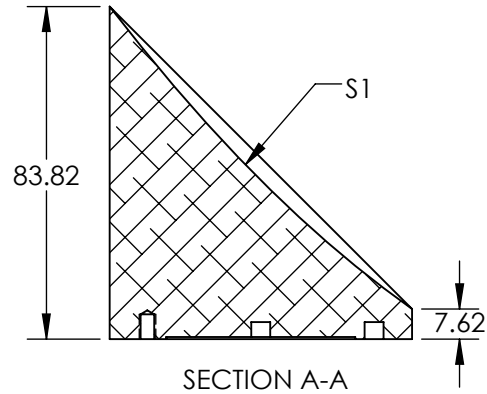


NOTES:

1. SUBSTRATE MATERIAL:
ALUMINUM
2. FINISH (EXCEPT SURFACE S1):
BLACK ANODIZED
3. COATING (APPLY ACROSS CLEAR APERTURE)
S1: PROTECTED ALUMINUM
R(AVG) >85% from 0.4-0.7 μ m
R(AVG) >97% from 2 - 12 μ m

SURFACE ROUGHNESS: <100 Å RMS
4. FOCAL LENGTH TOLERANCE: \pm 1%
5. ROHS COMPLIANT

**FOR INFORMATION ONLY:
DO NOT MANUFACTURE
PARTS TO THIS DRAWING**



SPECIFICATIONS SUBJECT TO CHANGE WITHOUT NOTICE
DIMENSIONS ARE FOR REFERENCE ONLY

REV. A	S1	EFL	127.00	Edmund Optics®	TITLE Ø76.2 X 127mm EFL 90° OAP PROTECTED ALUMINUM MIRROR 100Å	
SHAPE	PARABOLIC	PFL	63.50			
REFLECTIVE WAVEFRONT DISTORTION AT 632.8nm (RMS)	3/2λ	THIRD ANGLE PROJECTION		DWG NO 35523		
SURFACE FIGURE AT 632.8nm (RMS)	3/4λ	ALL DIMS IN	mm			
CLEAR APERTURE	90%					
BEVEL	PROTECTIVE AS NEEDED					