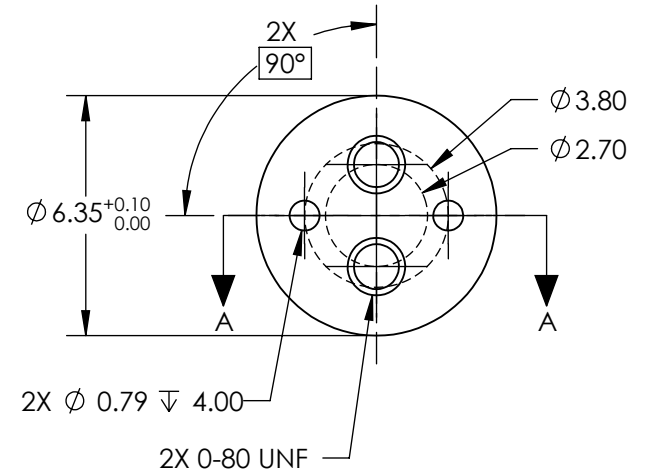
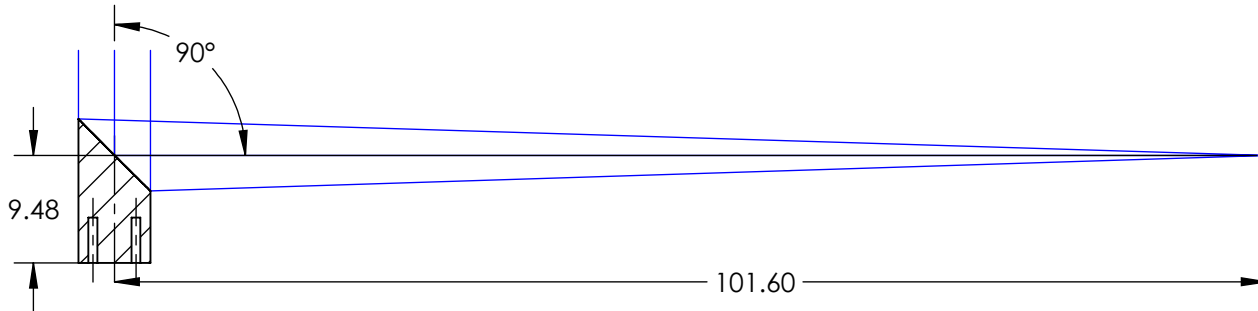
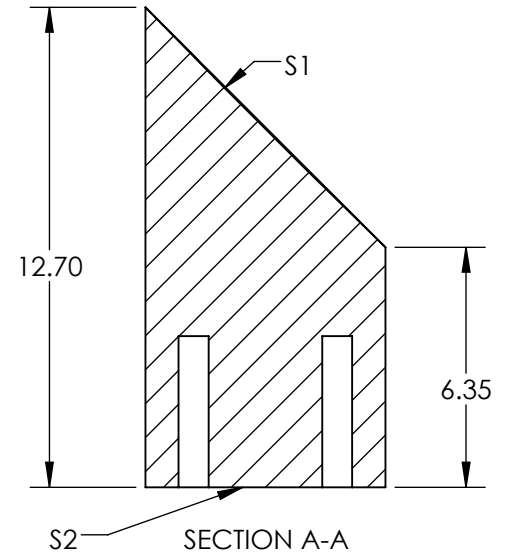
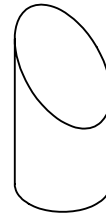


NOTES:

1. SUBSTRATE MATERIAL:
ALUMINUM
2. FINISH (EXCEPT SURFACE S1 & S2):
BLACK ANODIZED
3. COATING (APPLY ACROSS CLEAR APERTURE)
S1: UV ENHANCED ALUMINUM
R(AVG) >89% FROM 250 - 450nm
R(AVG) >85% FROM 250 - 700nm

SURFACE ROUGHNESS: <50 Å RMS
4. FOCAL LENGTH TOLERANCE: ±1%
5. ROHS COMPLIANT

FOR INFORMATION ONLY:
DO NOT MANUFACTURE
PARTS TO THIS DRAWING



SPECIFICATIONS SUBJECT TO CHANGE WITHOUT NOTICE
DIMENSIONS ARE FOR REFERENCE ONLY

REV. A	S1
SHAPE	PARABOLIC
SURFACE FIGURE AT 632.8nm (RMS)	$\lambda/8$
CLEAR APERTURE	90%
BEVEL	PROTECTIVE AS NEEDED



ALL DIMS IN mm

Edmund Optics®

Ø6.35 X 101.6mm EFL, UV ENHANCED
ALUMINUM 50Å OFF-AXIS PARABOLIC MIRROR

TITLE		
DWG NO	37293	SHEET 1 OF 1