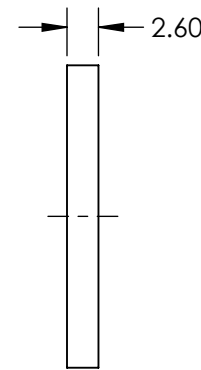
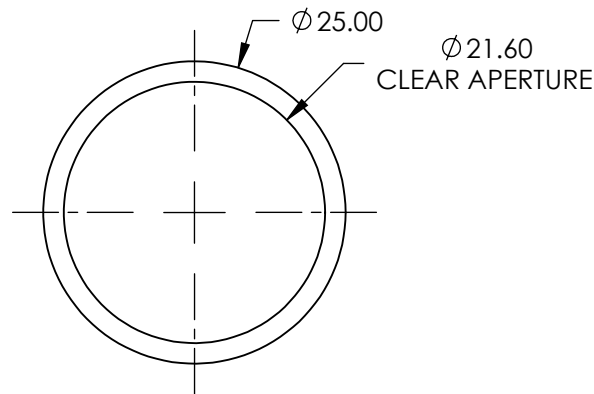
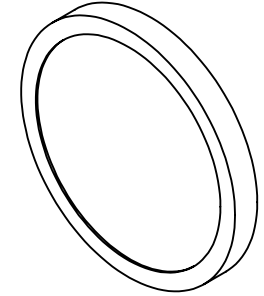


**FOR INFORMATION ONLY:  
DO NOT MANUFACTURE  
PARTS TO THIS DRAWING**



|                            |  |
|----------------------------|--|
| ANGLE TOLERANCE (°)        | ±1                                     |
| DIFFUSING ANGLE (°)        | 1 (FWHM)                               |
| DAMAGE THRESHOLD, PULSED   | 0.22 J/cm <sup>2</sup> @ 1064nm @ 10ns |
| OPERATING TEMPERATURE (°C) | -30 to +100 (Maximum of 240 Hours)     |
| SUBSTRATE                  | Polycarbonate                          |
| TRANSMISSION (%)           | >85                                    |
| WAVELENGTH RANGE (nm)      | 400 - 700                              |
| RoHS                       | COMPLIANT                              |

SPECIFICATIONS SUBJECT TO CHANGE WITHOUT NOTICE  
DIMENSIONS ARE FOR REFERENCE ONLY

**EO**® **Edmund Optics**®



|        |                                     |       |        |
|--------|-------------------------------------|-------|--------|
| TITLE  | 1° Diffusing Angle 25mm Dia Mounted |       |        |
| DWG NO | 47991                               | SHEET | 1 OF 1 |

ALL DIMS IN

mm