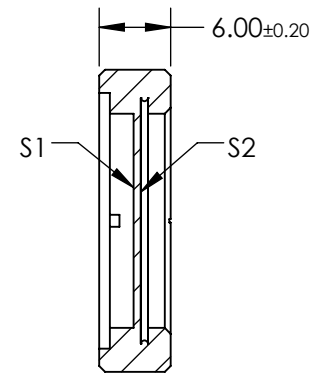
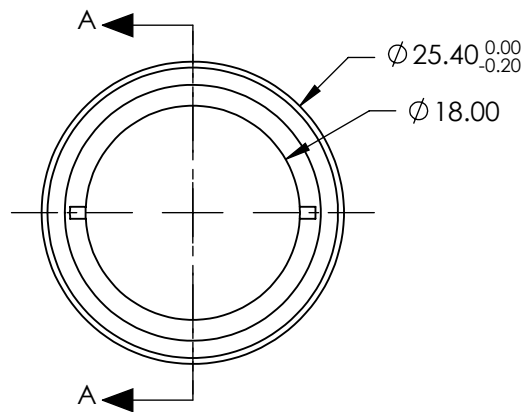


NOTES:

1. SUBSTRATE:  
Crystalline Quartz
2. COATING (APPLY ACROSS COATING APERTURE):  
S1 & S2: R(AVG) <0.2%
- DAMAGE THRESHOLD,  
PULSED: >20 J/cm<sup>2</sup>, 10ns @ 10Hz @ 1064nm
3. SURFACE S1 TO BE PARALLEL TO SURFACE S2 TO WITHIN <3 ARCSEC
4. RETARDANCE:  $\lambda/4 \pm \lambda/300$  @ 20°C  
RETARDANCE ORDER: 1st
5. DESIGN WAVELENGTH: 1064nm
6. TRANSMITTED WAVEFRONT: < $\lambda/10$  @ 632.8nm
7. ROHS: COMPLIANT



SECTION A-A

**FOR INFORMATION ONLY:  
DO NOT MANUFACTURE  
PARTS TO THIS DRAWING**

SPECIFICATIONS SUBJECT TO CHANGE WITHOUT NOTICE  
DIMENSIONS ARE FOR REFERENCE ONLY

**EO**® Edmund Optics®

	S1	S2	THIRD ANGLE PROJECTION	TITLE	25.4mm Dia., 1064nm, $\lambda/4$ High Energy Waveplate	
SURFACE QUALITY	20-10	20-10		DWG NO	39178	SHEET 1 OF 1
CLEAR APERTURE	Ø18.00	Ø18.00		ALL DIMS IN mm		