

NOTES:

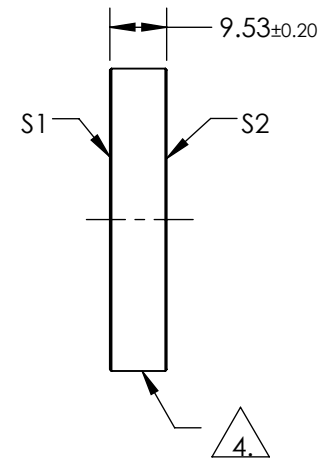
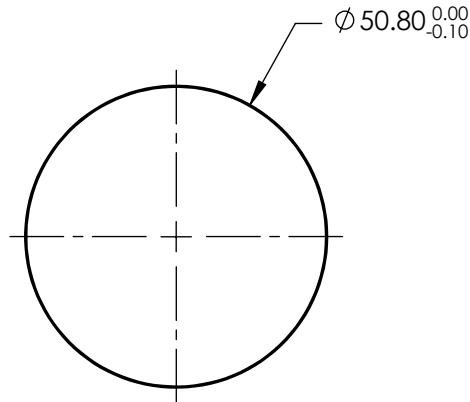
1. SUBSTRATE:
FUSED SILICA
2. S2 TO BE PARALLEL TO S1 TO WITHIN <3 ARCMIN
3. COATING (APPLY ACROSS COATING APERTURE)
S1: Dielectric Mirror (750-1100nm)
R(AVG) >98% @ 750 - 1100nm (0 - 45°)
R(AVG) >99% @ 750 - 1100nm (0°)

DAMANGE THRESHOLD,
PULSED: 1 J/cm² @ 1064nm, 20ns, 20Hz

S2: NONE

4. FINE GROUND SURFACE

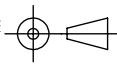
5. CLEAR APERTURE AND COATING APERTURE ARE CENTERED ON SURFACE
6. SURFACE QUALITY SPECIFICATIONS APPLY ACROSS CLEAR APERTURE
7. ROHS: COMPLIANT




**FOR INFORMATION ONLY:
DO NOT MANUFACTURE
PARTS TO THIS DRAWING**

SPECIFICATIONS SUBJECT TO CHANGE WITHOUT NOTICE
DIMENSIONS ARE FOR REFERENCE ONLY

	S1	S2
SHAPE	PLANO	PLANO
SURFACE QUALITY	20-10	COMMERCIAL POLISH
SURFACE FLATNESS	$\lambda/10$ (BEFORE COATING)	N/A
CLEAR APERTURE	Ø45.72	N/A
COATING APERTURE	Ø45.72	N/A
BEVEL	PROTECTIVE AS NEEDED	PROTECTIVE AS NEEDED

THIRD ANGLE PROJECTION 

ALL DIMS IN mm

 **Edmund Optics®**

TITLE: 50.8mm DIA. 750 - 1100nm BROADBAND $\lambda/10$ MIRROR

DWG NO: 39227

SHEET 1 OF 1