

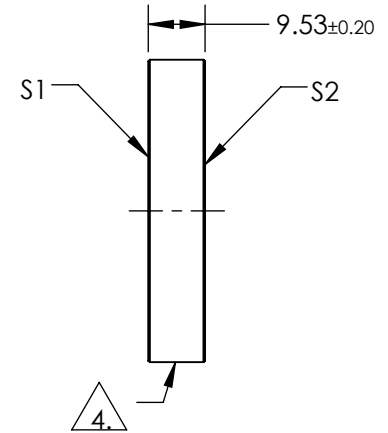
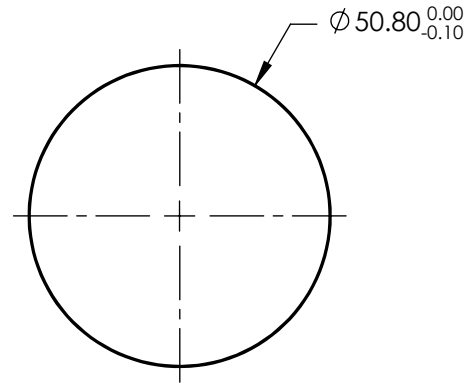
NOTES:

1. SUBSTRATE:  
FUSED SILICA
2. S2 TO BE PARALLEL TO S1 TO WITHIN <3 ARCMINS
3. COATING (APPLY ACROSS COATING APERTURE)  
S1 & S2: R(ABS) < 0.25% @ 515nm @ 0° AOI

DAMAGE THRESHOLD  
PULSED: 10J/cm<sup>2</sup> @ 20ns, 20Hz @ 515nm

4. FINE GROUND SURFACE

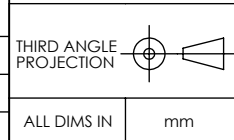
5. CLEAR APERTURE AND COATING APERTURE ARE CENTERED ON SURFACE
6. SURFACE QUALITY SPECIFICATIONS APPLY ACROSS CLEAR APERTURE
7. ROHS COMPLIANT



**FOR INFORMATION ONLY:  
DO NOT MANUFACTURE  
PARTS TO THIS DRAWING**

SPECIFICATIONS SUBJECT TO CHANGE WITHOUT NOTICE  
DIMENSIONS ARE FOR REFERENCE ONLY

	S1	S2
SHAPE	PLANO	PLANO
SURFACE QUALITY	10-5	10-5
SURFACE FLATNESS	$\lambda/10$	$\lambda/10$
MIN CLEAR APERTURE	Ø45.72	Ø45.72
BEVEL	PROTECTIVE AS NEEDED	PROTECTIVE AS NEEDED



**EO**® Edmund Optics®

TITLE	Ø50.8mm x 9.53mm 515nm FS LASER WINDOW		
DWG NO	39690	SHEET	1 OF 1