

NOTES:

1. SUBSTRATE:
Fused Silica
2. COATING (APPLY ACROSS COATING APERTURE)

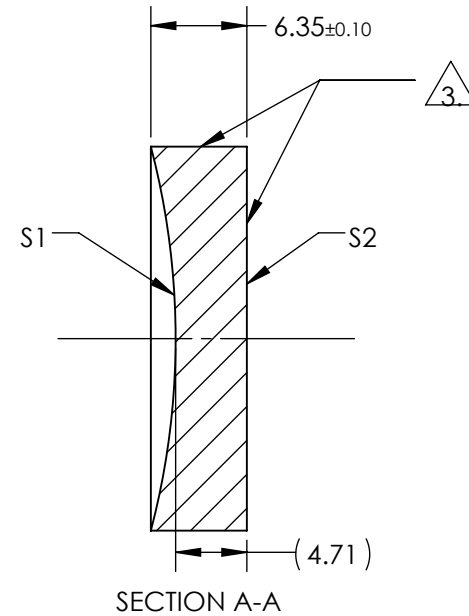
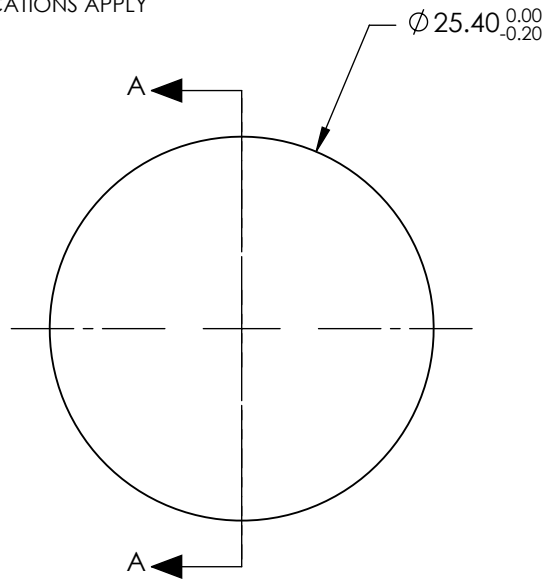
S1: Laser Mirror (532nm)
R(ABS) >99.80% @ 532nm @ 0-45° AOI

DAMAGE THRESHOLD,
PULSED:10 J/cm² @ 532nm, 20ns, 20Hz

S2: NONE

3. FINE GRIND SURFACE

4. POWER, IRREGULARITY, AND SURFACE QUALITY SPECIFICATIONS APPLY ACROSS CLEAR APERTURE
5. ROHS: COMPLIANT



**FOR INFORMATION ONLY:
DO NOT MANUFACTURE
PARTS TO THIS DRAWING**

	S1	S2
SHAPE	CONCAVE	PLANO
RADIUS	50.00	INFINITY
SURFACE QUALITY	20-10	N/A
CLEAR APERTURE	$\phi 22.86$	N/A
COATING APERTURE	$\phi 22.86$	N/A
POWER AT 632.8nm	2 RINGS	N/A
IRREGULARITY AT 632.8nm	0.10 WAVE	N/A
BEVEL	PROTECTIVE AS NEEDED	PROTECTIVE AS NEEDED

SPECIFICATIONS SUBJECT TO CHANGE WITHOUT NOTICE
DIMENSIONS ARE FOR REFERENCE ONLY

EO® Edmund Optics®



TITLE

25.4mm Dia. x 25mm EFL, 532nm 0-45°,
Concave Laser Line Mirror

ALL DIMS IN

mm

DWG NO

39960

SHEET
1 OF 1