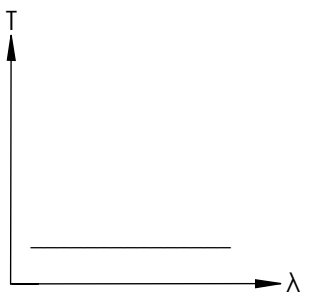
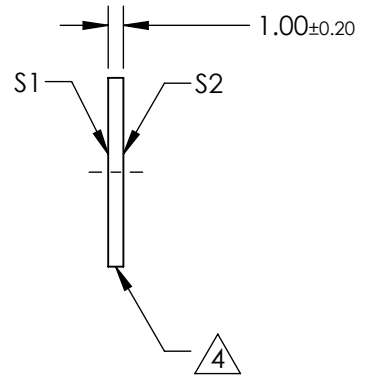
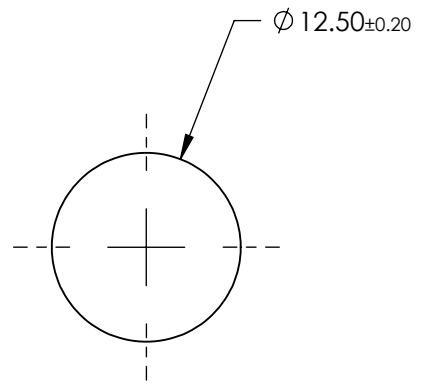
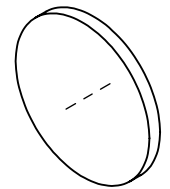


NOTES:

1. SUBSTRATE: Germanium (Ge)
2. SURFACE S2 TO BE PARALLEL WITH SURFACE S1 TO <10 ARCMIN
3. COATING (APPLY ACROSS CLEAR APERTURE)
OPTICAL DENSITY = 0.7 @ 2 - 14 μ m
TRANSMISSION = 20.0 @ 2 - 14 μ m
4. FINE GRIND SURFACE
5. POWER, IRREGULARITY, AND SURFACE QUALITY SPECIFICATIONS
APPLY ACROSS CLEAR APERTURE
6. ROHS COMPLIANT

**FOR INFORMATION ONLY:
DO NOT MANUFACTURE
PARTS TO THIS DRAWING**



IR Neutral Density Filter

SPECIFICATIONS SUBJECT TO CHANGE WITHOUT NOTICE
DIMENSIONS ARE FOR REFERENCE ONLY

	S1	S2
SHAPE	PLANO	PLANO
SURFACE FLATNESS	3 - 5 λ	3 - 5 λ
SURFACE QUALITY	80-50	80-50
CLEAR APERTURE	ϕ 11.25	ϕ 11.25
BEVEL	PROTECTED AS NEEDED	PROTECTED AS NEEDED



ALL DIMS IN mm

Edmund Optics®

TITLE	0.7 OD, 12.5mm Dia., IR Neutral Density Filter		
DWG NO	12006		SHEET 7 OF 37