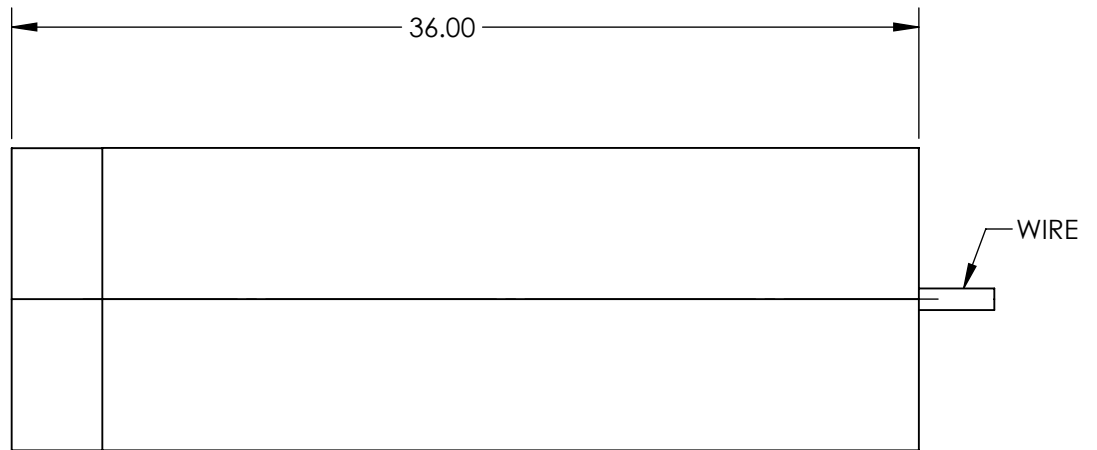
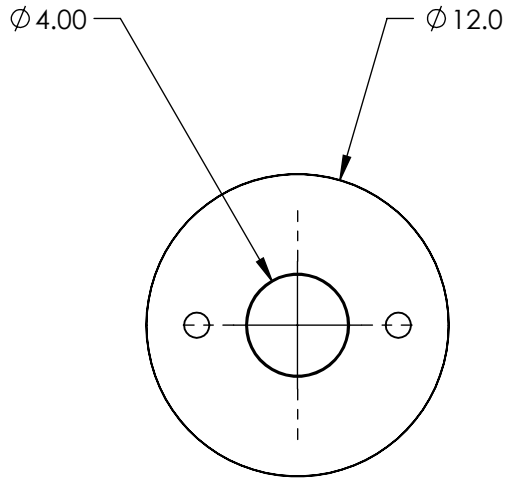
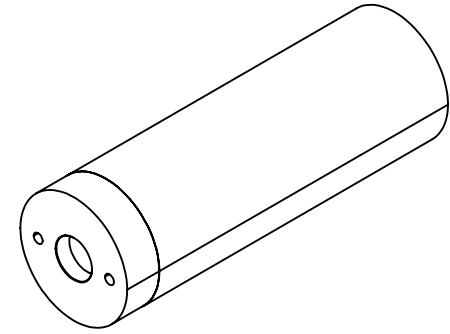


NOTES:

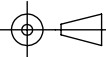
1. LASER CLASS:
IIIb
2. BEAM DIAMETER(mm): 3 x 1 Typical
BEAM DIVERGENCE: Major Axis: 0.5 Minor Axis: 0.2 mrad
3. MODULATION FREQUENCY: 0 - 10 kHz
4. OPERATING TEMPERATURE: -10 to 50 °C
OPERATING VOLTAGE: 5 V
5. OUTPUT POWER: 10 mW
6. WAVELENGTH RANGE: 850 ±5 nm



SPECIFICATIONS SUBJECT TO CHANGE WITHOUT NOTICE
DIMENSIONS ARE FOR REFERENCE ONLY

EO® Edmund Optics®

**FOR INFORMATION ONLY:
DO NOT MANUFACTURE
PARTS TO THIS DRAWING**

THIRD ANGLE PROJECTION 		TITLE	10mW, 850nm Alignment Laser Diode	
ALL DIMS IN	mm	DWG NO	37040	SHEET 1 OF 1