
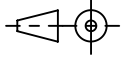
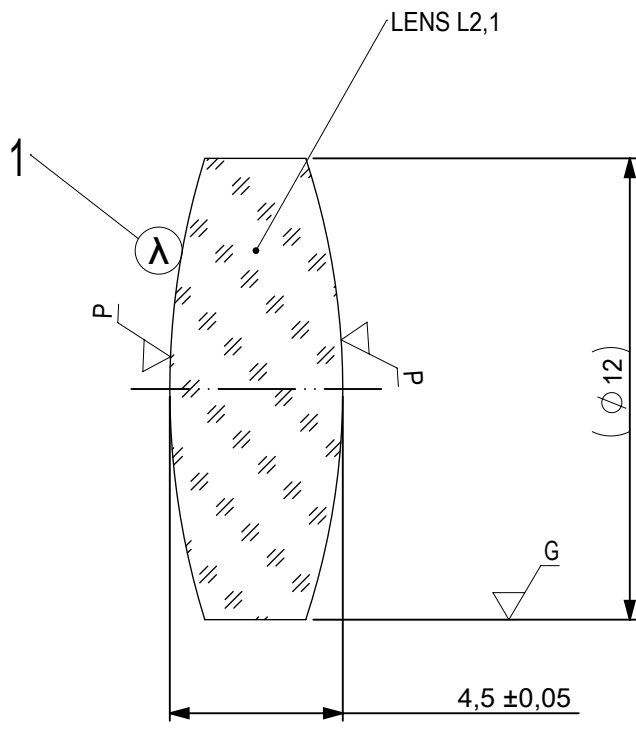


FOCAL LENGTH (EFL): $35 \pm 0,35$
 BACK FOCAL LENGTH (BFL): $30,73$

SURFACE A	SURFACE B	SURFACE C
$\varnothing e 11$	$\varnothing e 11$	$\varnothing e 11$
CEMENT: NOA 61 OR EQUIVALENT		

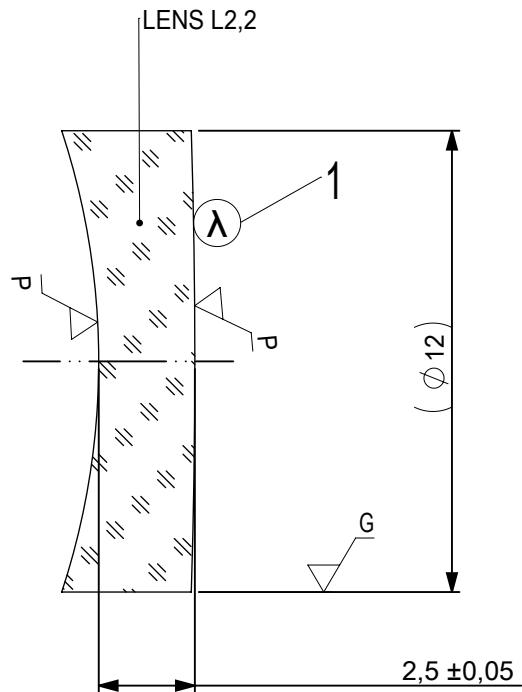
PROTECTIVE CHAMFERS AS NEEDED		FIRST ANGLE PROJECTION			
ROHS: COMPLIANT	SCALE: NONE $\lambda = 880\text{nm}$				
SPECIFICATIONS SUBJECT TO CHANGE WITHOUT NOTICE. DIMENSIONS ARE FOR REFERENCE ONLY			TITLE	12mm Dia, x 35mm FL, NIR II Coated, Achromatic Lens	
FOR INFORMATION ONLY: DO NOT MANUFACTURE PARTS TO THIS DRAWING			ALL DIMS IN:	DWG NO	45795
INDICATIONS IN ACCORDANCE WITH ISO 10110		mm			SHEET 1 OF 3



1 AR COATING: NIR II
 R(ABS) ≤ 1,5% FROM 750-800nm @ 0° AOI
 R(ABS) ≤ 1,0% FROM 800-1550nm @ 0° AOI
 R(AVG) ≤ 0,7% FROM 750-1550nm @ 0° AOI

LEFT SURFACE	MATERIAL	RIGHT SURFACE
R 20,23±0,02 CX Øe 11 3/ 3 (0,5) λ=632,8 nm 4/ - 5/ 40 - 20 (MIL-PRF-13830B) 6/ -	GLASS N-LaK22 651/559	R 19,17±0,019 CX Øe 11 3/ 3 (0,5) λ=632,8 nm 4/ - 5/ 40 - 20 (MIL-PRF-13830B) 6/ -

PROTECTIVE CHAMFERS AS NEEDED		FIRST ANGLE PROJECTION	Edmund Optics®	
ROHS: COMPLIANT	SCALE: NONE λ = 880nm			
SPECIFICATIONS SUBJECT TO CHANGE WITHOUT NOTICE. DIMENSIONS ARE FOR REFERENCE ONLY			TITLE	12mm Dia, x 35mm FL, NIR II Coated, Achromatic Lens
FOR INFORMATION ONLY: DO NOT MANUFACTURE PARTS TO THIS DRAWING			ALL DIMS IN: mm	DWG NO
INDICATIONS IN ACCORDANCE WITH ISO 10110			SHEET SIZE	A4
			SHEET	2 OF 3



- 1 AR COATING: NIR II
 R(ABS) ≤ 1,5% FROM 750-800nm @ 0° AOI
 R(ABS) ≤ 1,0% FROM 800-1550nm @ 0° AOI
 R(AVG) ≤ 0,7% FROM 750-1550nm @ 0° AOI

LEFT SURFACE	MATERIAL	RIGHT SURFACE
R 19,17±0,019 CV Øe 11 3/ 3 (0,5) λ=632,8 nm 4/ - 5/ 40 - 20 (MIL-PRF-13830B) 6/ -	GLASS N-SF6 805/254	R 193,84±0,194 CX Øe 11 3/ 3 (0,5) λ=632,8 nm 4/ - 5/ 40 - 20 (MIL-PRF-13830B) 6/ -

PROTECTIVE CHAMFERS AS NEEDED

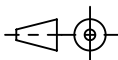
ROHS: COMPLIANT
 SCALE: NONE λ = 880nm

SPECIFICATIONS SUBJECT TO CHANGE WITHOUT NOTICE. DIMENSIONS ARE FOR REFERENCE ONLY

FOR INFORMATION ONLY: DO NOT MANUFACTURE PARTS TO THIS DRAWING

INDICATIONS IN ACCORDANCE WITH ISO 10110

FIRST ANGLE PROJECTION



ALL DIMS IN: mm



Edmund Optics®

TITLE

12mm Dia, x 35mm FL, NIR II Coated, Achromatic Lens

DWG NO

45795

SHEET SIZE
A4

SHEET
3 OF 3