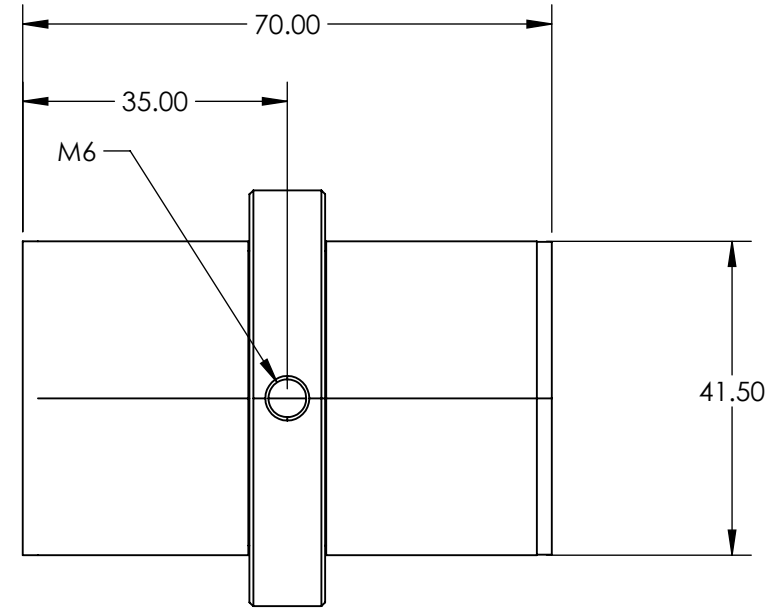
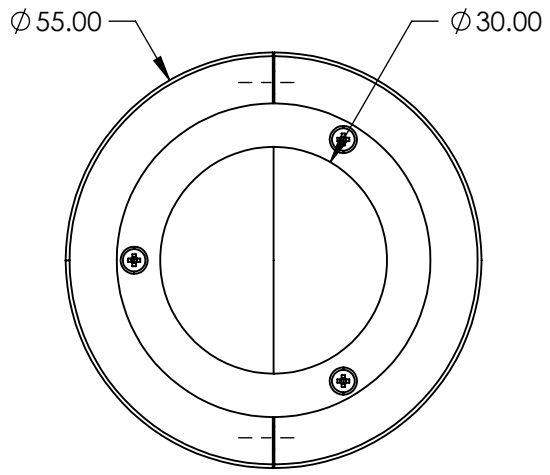


NOTES:

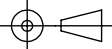
1. MATERIAL: BLACK ANODIZED ALUMINUM
2. COATING:
VACUUM BLACK AND METAL VELVET
3. RoHS: COMPLIANT



SPECIFICATIONS SUBJECT TO CHANGE WITHOUT NOTICE
DIMENSIONS ARE FOR REFERENCE ONLY

**FOR INFORMATION ONLY:
DO NOT MANUFACTURE
PARTS TO THIS DRAWING**

EO® Edmund Optics®

| | | | | |
|--|----|--------|---|-----------------|
| THIRD ANGLE PROJECTION  | | TITLE | 30mm Aperture, Acktar Blackened Laser Beam Trap | |
| ALL DIMS IN | mm | DWG NO | 13515 | SHEET 1 OF 1 |