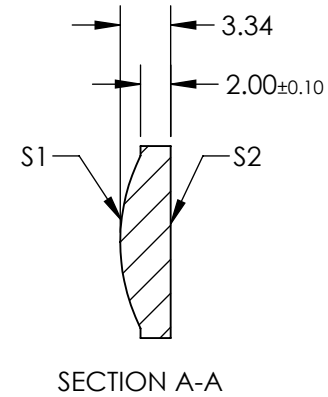
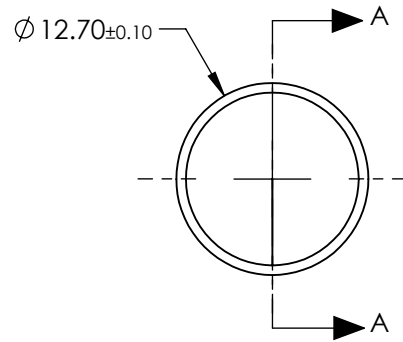


NOTES:

1. SUBSTRATE: PMMA
2. COATING
S1 & S2: R(AVG) < 0.5% @ 450 - 650nm
3. FOCAL LENGTH TOLERANCE: ±1%
4. ROHS: COMPLIANT



**FOR INFORMATION ONLY:
DO NOT MANUFACTURE
PARTS TO THIS DRAWING**

SPECIFICATIONS SUBJECT TO CHANGE WITHOUT NOTICE
DIMENSIONS ARE FOR REFERENCE ONLY

	S1	S2
SHAPE	CONVEX	PLANO
BEVEL	PROTECTIVE AS NEEDED	PROTECTIVE AS NEEDED

EFL	25.40
BFL	23.20



ALL DIMS IN	mm
-------------	----

EO® **Edmund Optics**®

TITLE: 12.7mm DIA. f/2 VIS COATED, MOLDED ACRYLIC ASPHERIC LENS

DWG NO	48177	SHEET	1 OF 1
--------	-------	-------	--------