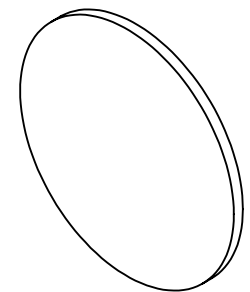


NOTES:

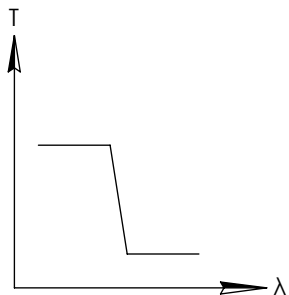
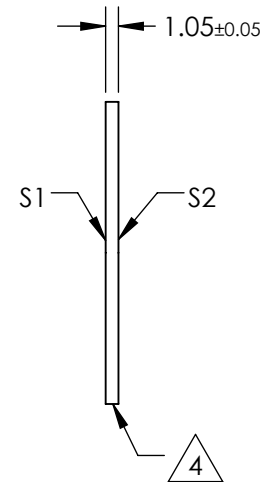
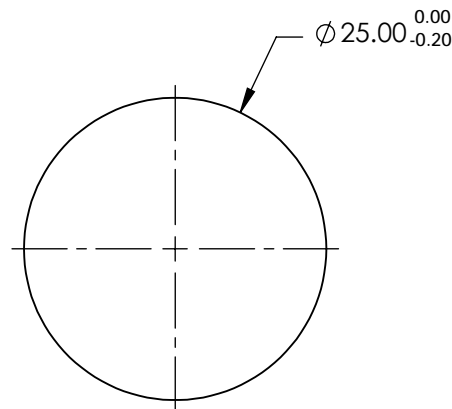
**FOR INFORMATION ONLY:  
DO NOT MANUFACTURE  
PARTS TO THIS DRAWING**

1. SUBSTRATE
2. SURFACE S2 TO BE PARALLEL WITH SURFACE S1 TO WITHIN 5 arcsec
3. COATING (APPLY ACROSS COATING APERTURE)  
PERFORMANCE SPECIFICATIONS:  
 T(avg): >85% FROM 400 - 820nm FOR RANDOM POLARIZATION @ 45° AOI  
 T(abs): >80% FROM 400 - 820nm FOR ALL POLARIZATIONS @ 45° AOI  
 R(avg): >97% FROM 910 - 1110nm FOR RANDOM POLARIZATION @ 45° AOI  
 R(abs): >95% FROM 910 - 1110nm FOR ALL POLARIZATIONS @ 45° AOI  
 T(abs): = 50% 850nm @ 45° AOI  
  
 GDD: 80 ± 30fs<sup>2</sup> @ 440 - 820nm  
 120 ± 80fs<sup>2</sup> @ 410 - 820nm  
  
 S1: HARD COATED  
 S2: SINGLE LAYER MgF2



4. FINE GRIND SURFACE

5. POWER, IRREGULARITY, AND SURFACE QUALITY SPECIFICATIONS  
APPLY ACROSS CLEAR APERTURE
6. TRANSMITTED WAVEFRONT DISTORTION RMS@ 632.8nm ≤ ¼ λ
7. ROHS COMPLIANT



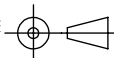
SHORTPASS FILTER

SPECIFICATIONS SUBJECT TO CHANGE WITHOUT NOTICE  
DIMENSIONS ARE FOR REFERENCE ONLY

	S1	S2
SHAPE	PLANO	PLANO
SURFACE QUALITY	40-20	40-20
CLEAR APERTURE	Ø22.00	Ø22.00
COATING APERTURE	Ø24.00	Ø24.00
BEVEL	PROTECTIVE AS NEEDED	PROTECTIVE AS NEEDED

**EO**® Edmund Optics®

THIRD ANGLE PROJECTION



TITLE

850nm, 25mm Diameter, Low GDD Dichroic Shortpass Ultrafast Filter

ALL DIMS IN

mm

DWG NO

14005

SHEET  
1 OF 1