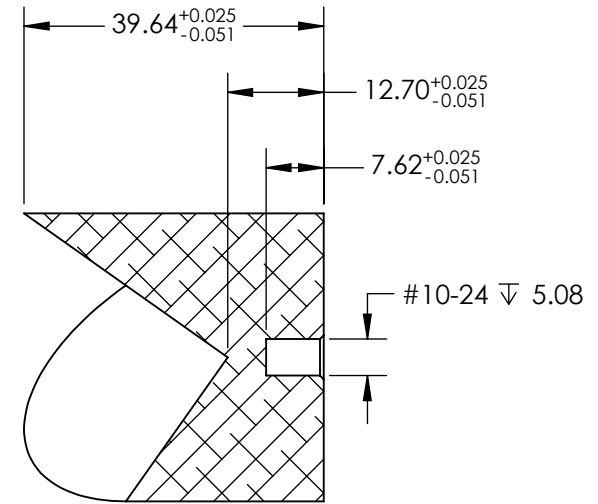
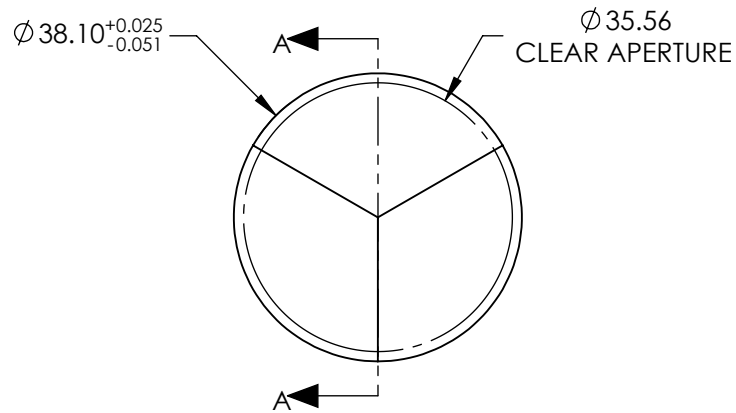


NOTES:

1. SUBSTRATE: ALUMINUM
2. BEAM DEVIATION: 10 ARCSEC
RAY DEVIATION: 180°
3. COATING SPECIFICATION (APPLY ACROSS CLEAR APERTURE):

R(AVG) >94% @ 700 - 800nm
R(AVG) >97% @ 800 - 2000nm
R(AVG) >98% @ 2 - 12μm
4. SURFACE QUALITY: 60-40
5. WAVELENGTH RANGE: 700 - 12000nm

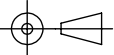


SECTION A-A

SPECIFICATIONS SUBJECT TO CHANGE WITHOUT NOTICE
DIMENSIONS ARE FOR REFERENCE ONLY

**FOR INFORMATION ONLY:
DO NOT MANUFACTURE
PARTS TO THIS DRAWING**

EO® Edmund Optics®

THIRD ANGLE PROJECTION 		TITLE	38.1mm DIA., 10 ARCSEC, BARE GOLD REPLICATED HOLLOW METAL RETROREFLECTOR	
ALL DIMS IN	mm	DWG NO	15904	SHEET 1 OF 1