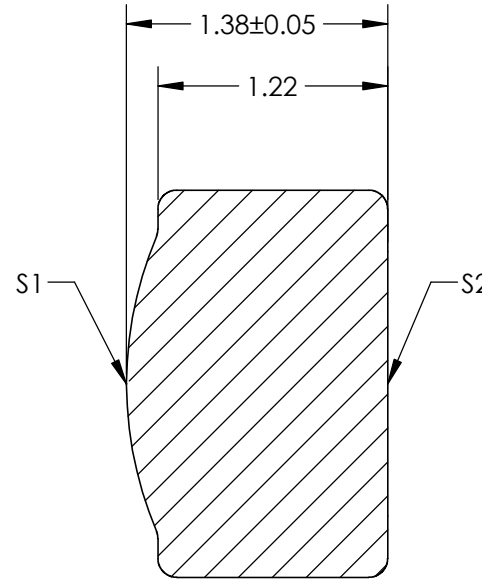
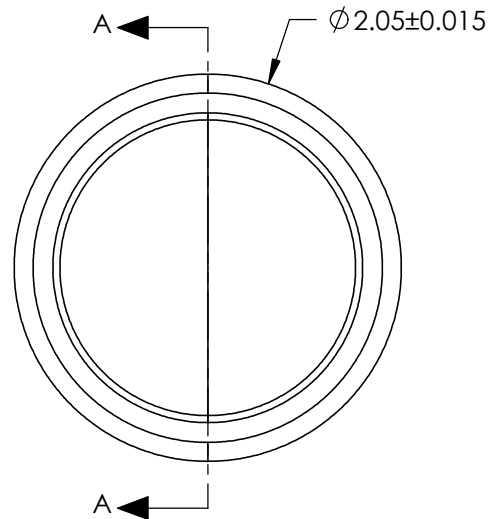


NOTES:

1. SUBSTRATE:
D-ZLAF52LA
2. NUMERICAL APERTURE: 0.20
3. COATING
S1 & S2: R(AVG) $\leq 0.5\%$ @ 350 - 700nm
4. FOCAL LENGTH TOLERANCE: $\pm 1\%$
5. TRANSMITTED WAVEFRONT ERROR (λ , RMS @ 632.8NM): < 0.050
6. DESIGN WAVELENGTH: 1550nm



SECTION A-A

**FOR INFORMATION ONLY:
DO NOT MANUFACTURE
PARTS TO THIS DRAWING**

SPECIFICATIONS SUBJECT TO CHANGE WITHOUT NOTICE
DIMENSIONS ARE FOR REFERENCE ONLY

	S1	S2
SHAPE	CONVEX	PLANO
SURFACE QUALITY	40-20	40-20
CLEAR APERTURE	$\phi 1.01$	$\phi 0.71$
BEVEL	PROTECTED AS NEEDED	PROTECTED AS NEEDED

EFL	2.51
WD	1.70
THIRD ANGLE PROJECTION	
ALL DIMS IN	mm

Edmund Optics®

TITLE	LightPath 355615 2.05mm Dia., 0.20 NA, BBAR (350-700nm), Molded Aspheric Lens
DWG NO	16693
SHEET	1 OF 1