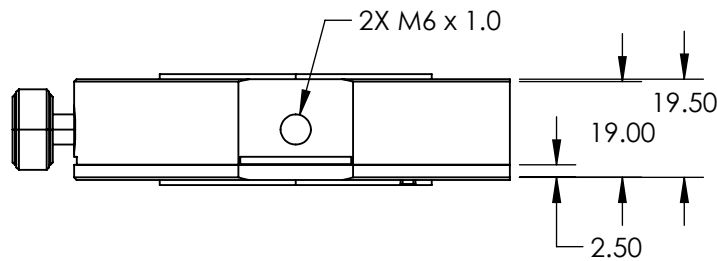
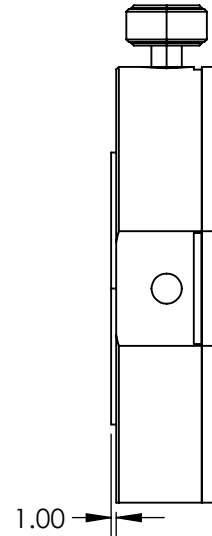
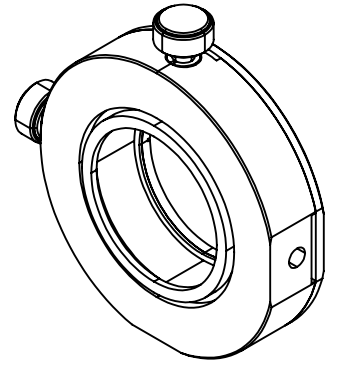
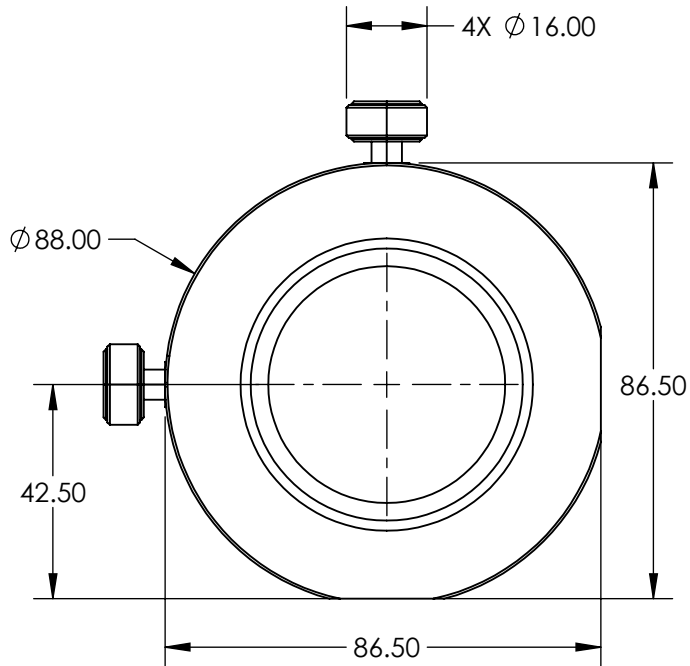


NOTES:

1. ROHS COMPLIANT



SPECIFICATIONS SUBJECT TO CHANGE WITHOUT NOTICE
DIMENSIONS ARE FOR REFERENCE ONLY

**FOR INFORMATION ONLY:
DO NOT MANUFACTURE
PARTS TO THIS DRAWING**

EO® Edmund Optics®

SIZE OF COMPATIBLE OPTICS (mm)	50.0/50.8
CLEAR APERTURE	Ø46.0

THIRD ANGLE PROJECTION	
ALL DIMS IN	mm

TITLE	50.0/50.8mm Optic Dia., X-Y Translating Optic Mount		
DWG NO	62957	SHEET	1 OF 1