

NOTES:

1. SUBSTRATE: N-SF5

2. COATING (APPLY ACROSS CLEAR APERTURE)
 S1 & S2: VIS-EXT+ (350-700nm)
 R(AVG) <0.5% @ 350 - 700nm @ ±30° AOI
 R(ABS) <1.5% @ 350 - 700nm @ ±30° AOI

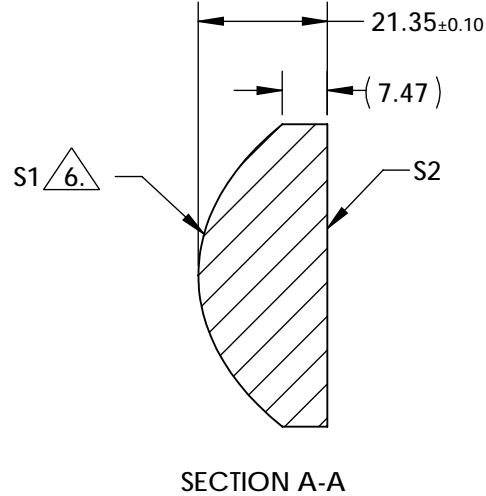
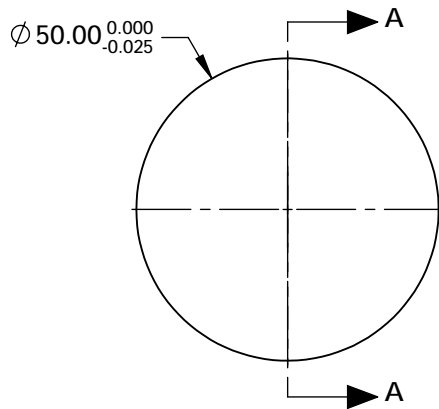
3. EDGES: FINE GROUND

4. CENTERING: <3 ARCMIN

5. ASPHERE FIGURE ERROR: 0.25µm RMS

6. ASPHERIC SURFACE DESCRIBED BY (REF. COEFFICIENT TABLE)

$$Z_{ASPH}(Y) = \frac{(\frac{1}{RADIUS})^2 * Y^2}{1 + \sqrt{1 - (1+k) * (\frac{1}{RADIUS})^2 * Y^2}} + D * Y^2 + E * Y^4 + F * Y^6 + G * Y^8 + H * Y^{10} + J * Y^{12} + L * Y^{14}$$



COEFFICIENT TABLE 6.	
COEFFICIENT	S1
SEMI-DIAMETER	2.500000E+01
(1/RADIUS)	3.964164E-02
k	-1.187653E+00
D	0.000000E+00
E	4.967341E-06
F	4.493814E-10
G	-6.114163E-14
H	-3.368368E-16
J	0.000000E+00
L	0.000000E+00

**FOR INFORMATION ONLY:
DO NOT MANUFACTURE
PARTS TO THIS DRAWING**

SPECIFICATIONS SUBJECT TO CHANGE WITHOUT NOTICE DIMENSIONS ARE FOR REFERENCE ONLY

	S1	S2	EFL @ 587.6nm	37.50			
SHAPE	CONVEX	PLANO	BFL @ 587.6nm	24.74			Edmund Optics® 50mm Dia., 0.66 Numerical Aperture, 350-700nm Coated, Precision Aspheric Lens
RADIUS	25.226	INFINITY	THIRD ANGLE PROJECTION				
SURFACE QUALITY	40-20	40-20	ALL DIMS IN	mm	DWG NO	16969	SHEET 1 OF 1
CLEAR APERTURE	Ø45.00	Ø45.00					
BEVEL MAX	PROTECTIVE AS NEEDED	PROTECTIVE AS NEEDED					