

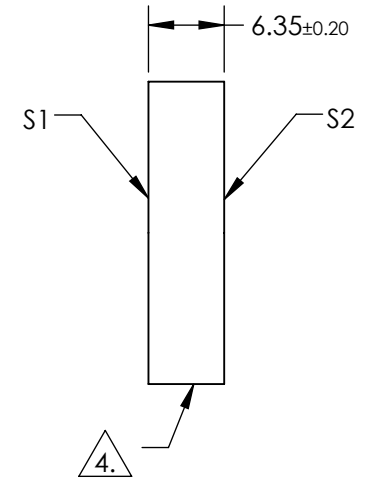
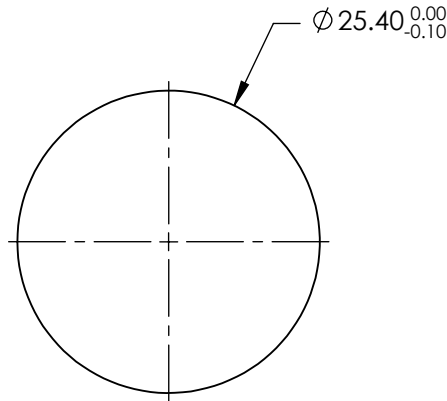
NOTES:

1. SUBSTRATE:
FUSED SILICA
2. S2 TO BE PARALLEL TO S1 TO WITHIN <3 ARCMINS
3. COATING (APPLY ACROSS COATING APERTURE)
S1 & S2: R(ABS) < 0.25% @ 261.4nm @ 0° AOI

DAMAGE THRESHOLD
PULSED: 3J/cm² @ 20ns, 20Hz @ 266nm

4. FINE GROUND SURFACE

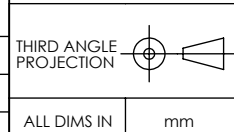
5. CLEAR APERTURE AND COATING APERTURE ARE CENTERED ON SURFACE
6. POWER, IRREGULARITY, AND SURFACE QUALITY SPECIFICATIONS APPLY ACROSS CLEAR APERTURE
7. ROHS COMPLIANT



**FOR INFORMATION ONLY:
DO NOT MANUFACTURE
PARTS TO THIS DRAWING**

SPECIFICATIONS SUBJECT TO CHANGE WITHOUT NOTICE
DIMENSIONS ARE FOR REFERENCE ONLY

	S1	S2
SHAPE	PLANO	PLANO
SURFACE QUALITY	10-5	10-5
SURFACE FLATNESS	$\lambda/10$	$\lambda/10$
MIN CLEAR APERTURE	$\text{Ø}22.86$	$\text{Ø}22.86$
BEVEL	PROTECTIVE AS NEEDED	PROTECTIVE AS NEEDED



EO® **Edmund Optics**®

TITLE	25.4mm Dia., 6.35mm Thick, 261.4nm, $\lambda/10$ Fused Silica Window		
DWG NO	19737	SHEET	1 OF 1