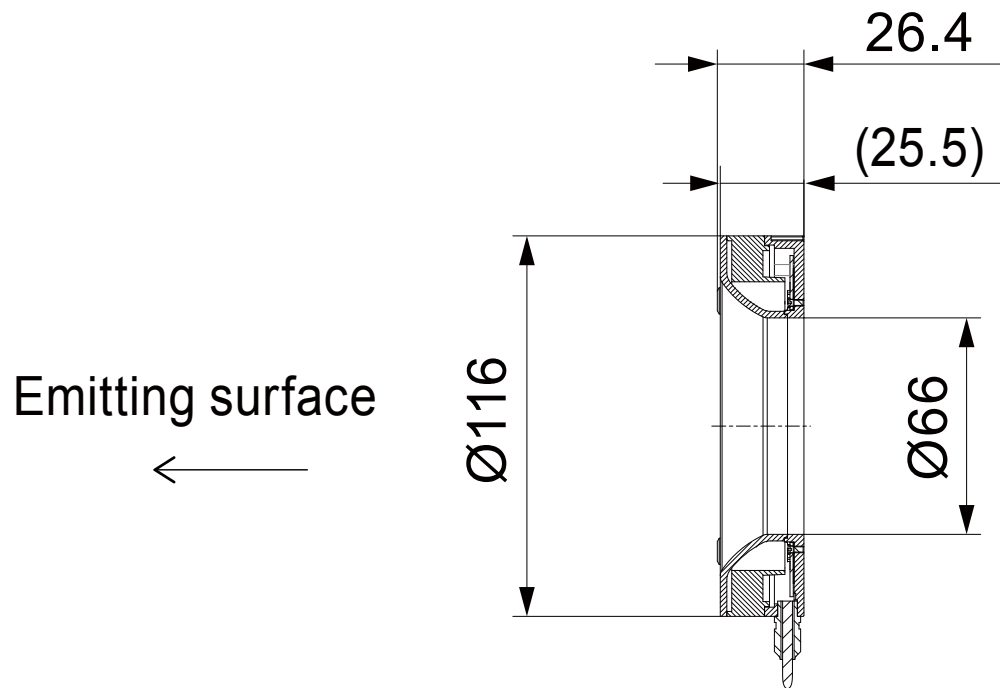


HPR2-100RD

Model name	HPR2-100RD
LED color	Red
Input voltage	24VDC
Power consumption	17W
Weight	170g
Connector	SMR-03V-B
Polarity and signal	1: (+), 2: NC, 3: (-)

Unit : mm



4 x M4 x 5
(for installation)

