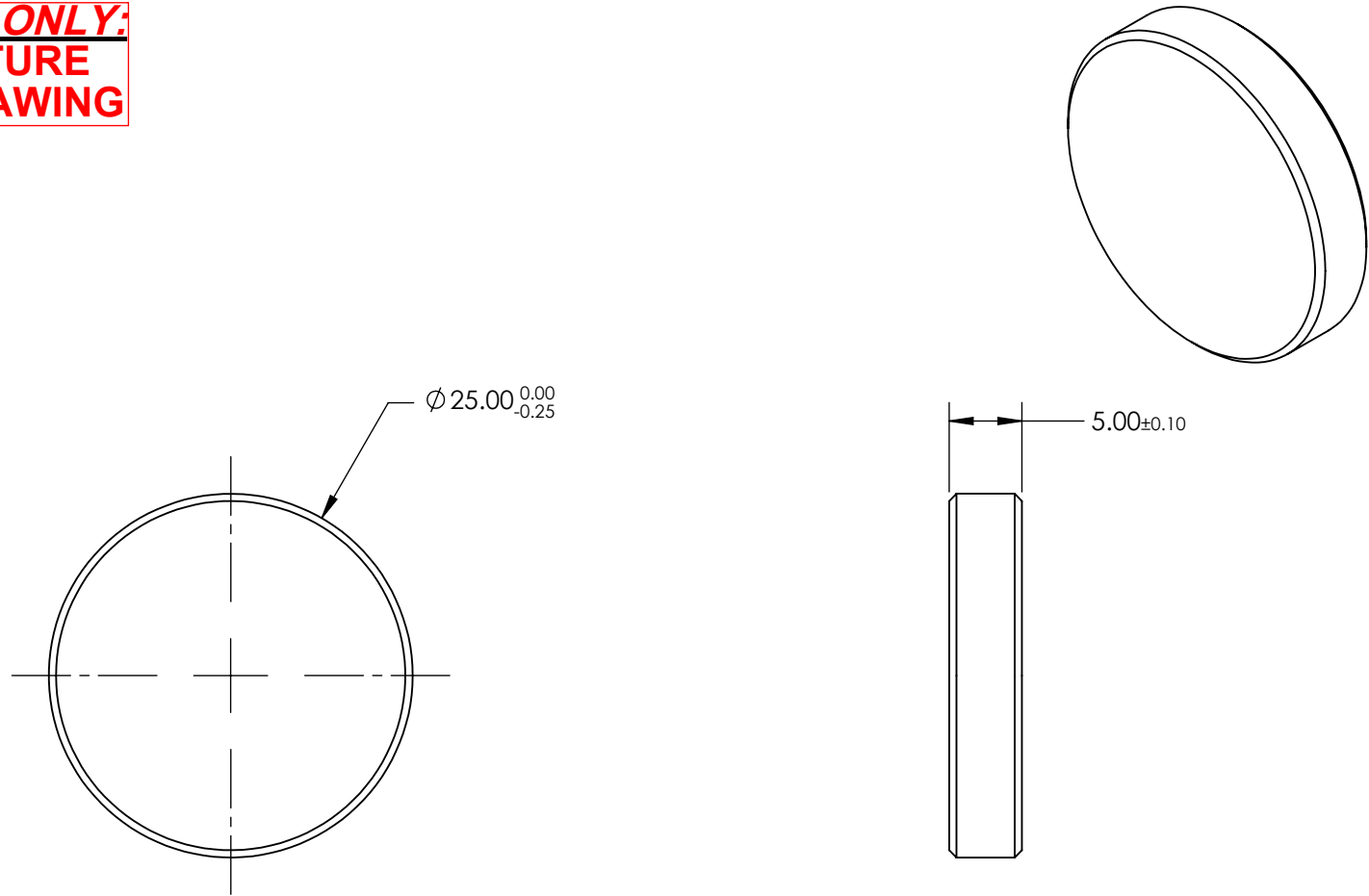
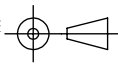


**FOR INFORMATION ONLY:
DO NOT MANUFACTURE
PARTS TO THIS DRAWING**




SPECIFICATIONS SUBJECT TO CHANGE WITHOUT NOTICE
DIMENSIONS ARE FOR REFERENCE ONLY

	VALUE
SHAPE	PLANO
CENTER WAVELENGTH (nm)	900
FULL WIDTH HALF MAX (FWHM) (nm)	300
MINIMUM TRANSMISSION (%)	>70
TRANSMITTED WAVEFRONT, RMS	$\lambda/4$
PARALLELISM (arcsec)	30 or better

THIRD ANGLE PROJECTION 

ALL DIMS IN mm

 **Edmund Optics®**

TITLE Filter Bandpass Kron/Cousins-I 25mm

DWG NO 21107

SHEET 1 OF 1