

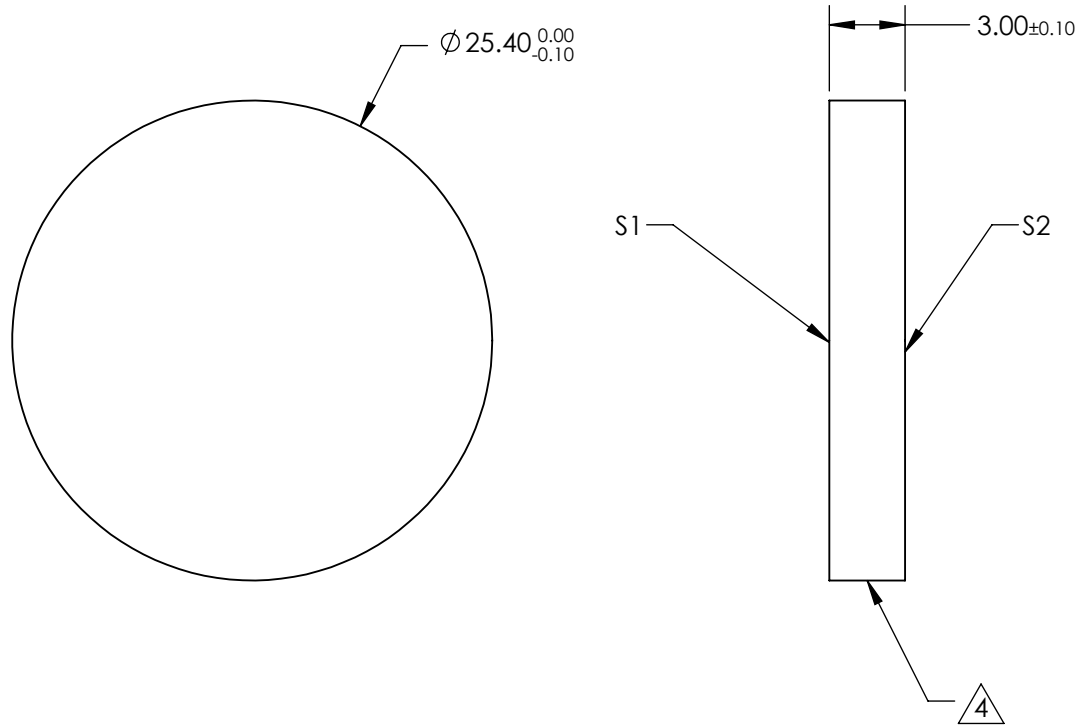
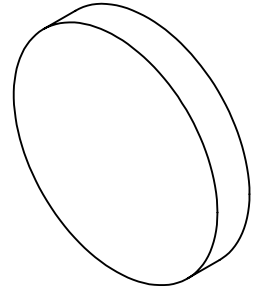
NOTES:

1. SUBSTRATE:
SILICON (Si)
2. SURFACE S2 TO BE PARALLEL TO S1 WITHIN <3 ARCMIN
3. COATING (APPLY ACROSS CLEAR APERTURE)

S1 & S2: BBAR(3000-5000nm)
Ravg <3.0% @ 3 - 5µm

4. FINE GRIND SURFACE

5. ROHS COMPLIANT



**FOR INFORMATION ONLY:
DO NOT MANUFACTURE
PARTS TO THIS DRAWING**

SPECIFICATIONS SUBJECT TO CHANGE WITHOUT NOTICE
DIMENSIONS ARE FOR REFERENCE ONLY

	S1	S2
SHAPE	PLANO	PLANO
CLEAR APERTURE	$\phi 22.86$	$\phi 22.86$
SURFACE QUALITY	60-40	60-40
SURFACE FLATNESS	1λ	1λ
BEVEL	PROTECTED AS NEEDED	PROTECTED AS NEEDED

THIRD ANGLE PROJECTION

ALL DIMS IN mm

Edmund Optics®

25.4mm Dia. x 3mm Thickness 3-5µm
Coated Silicon Window

TITLE

DWG NO

20038

SHEET
1 OF 1