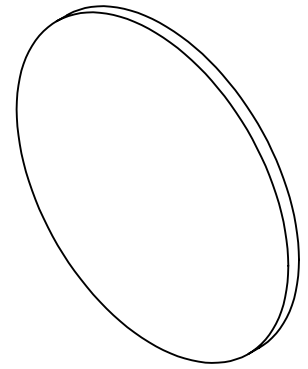
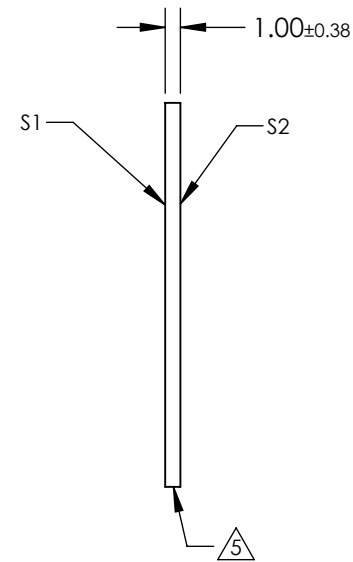
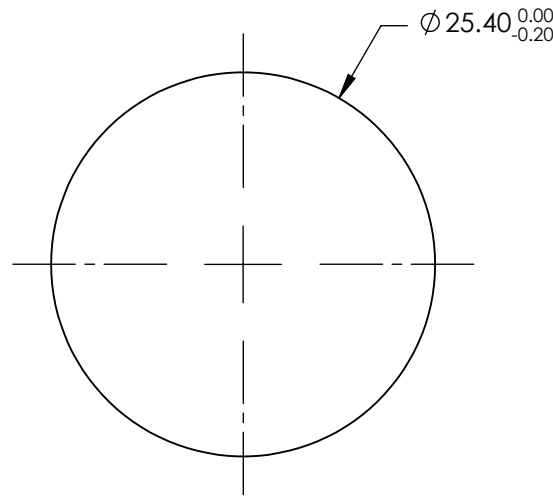


NOTES:

1. SUBSTRATE: Fused Silica (Corning 7980)
2. RoHS COMPLIANT
3. SURFACE S2 TO BE PARALLEL WITH SURFACE S 1 TO WITHIN ACRMINS
4. Coating (Apply Across Clear Aperture):
 S1 & S2: Rabs ≤1.5% @ 750 - 800nm
 Rabs ≤1.0% @ 800 - 1550nm
 Ravg ≤0.7% @ 750 - 1550nm



5. FINE GROUND SURFACE



**FOR INFORMATION ONLY:
DO NOT MANUFACTURE
PARTS TO THIS DRAWING**

SPECIFICATIONS SUBJECT TO CHANGE WITHOUT NOTICE
DIMENSIONS ARE FOR REFERENCE ONLY

	S1	S2
Shape	Plano	Plano
Surface Accuracy	1λ	1λ
Surface Quality	60-40	60-40
Clear Aperture	22.86	22.86
Bevel	Protected as Needed	Protected as Needed



ALL DIMS IN mm

TITLE	25.4mm Dia. 1mm Thick NIR II Coated, 1λ Fused Silica Window
DWG NO	25297
SHEET 54 OF 101	