

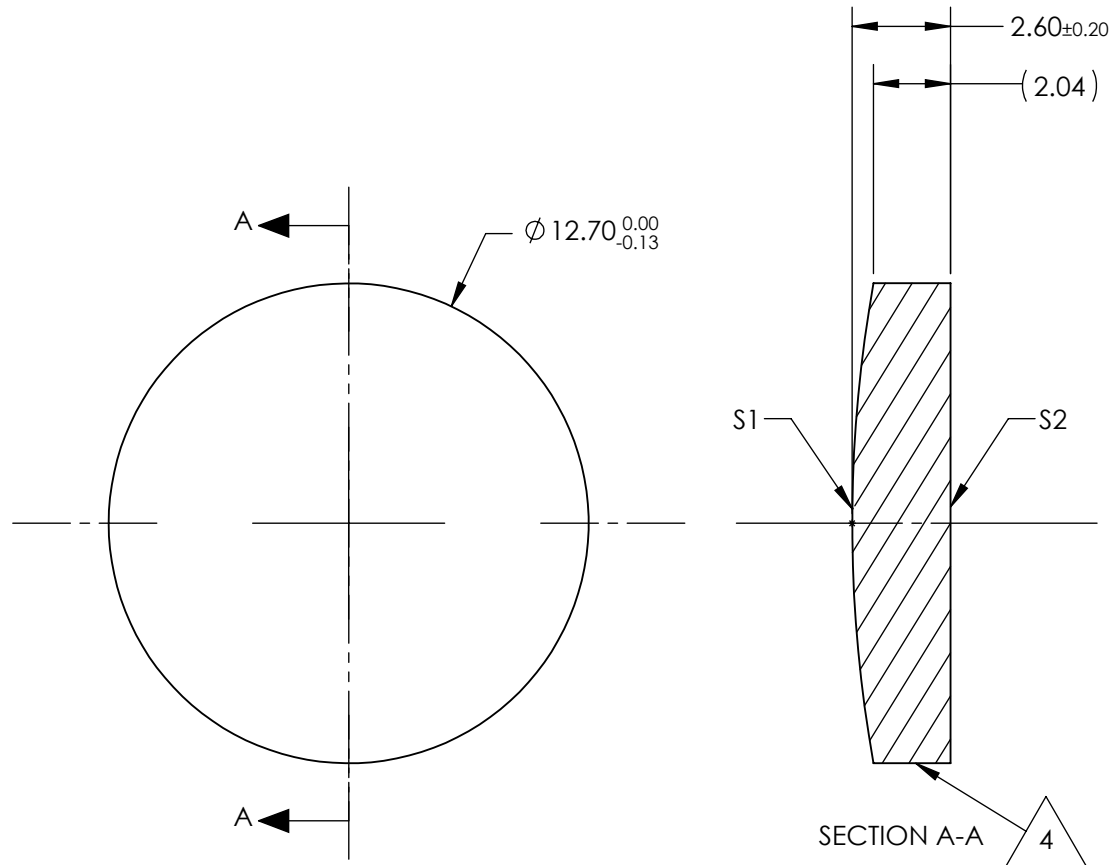
NOTES:

1. SUBSTRATE:
Zinc Selenide (ZnSe), CVD Grade
2. CENTERING TOLERANCE:
<3 ARCMIN
3. COATING (APPLY ACROSS CLEAR APERTURE)
S1 & S2: R(AVG) <0.5% @ 8 - 12µm
R(ABS) <1% @ 8 - 12µm

4. FINE GRIND SURFACE


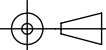
5. FOCAL LENGTH TOLERANCE: ±2%

6. ROHS COMPLIANT



**FOR INFORMATION ONLY:
DO NOT MANUFACTURE
PARTS TO THIS DRAWING**

SPECIFICATIONS SUBJECT TO CHANGE WITHOUT NOTICE
DIMENSIONS ARE FOR REFERENCE ONLY

	S1	S2	EFL @ 10.6µm	25.4	 Edmund Optics®		
SHAPE	CONVEX	PLANO	BFL @ 10.6µm	24.56			
RADIUS	35.97	INFINITY			TITLE	12.7mm Dia. x 25.4mm FL, 8-12µm AR Coated, ISP Optics ZnSe Plano-Convex Lens	
IRREGULARITY AT 10.6µm	λ/20	λ/20					
SURFACE QUALITY	60-40	60-40	ALL DIMS IN		mm	DWG NO	24982
CLEAR APERTURE	ø11.43	ø11.43					
BEVEL	PROTECTED AS NEEDED	PROTECTED AS NEEDED					SHEET 1 OF 1