

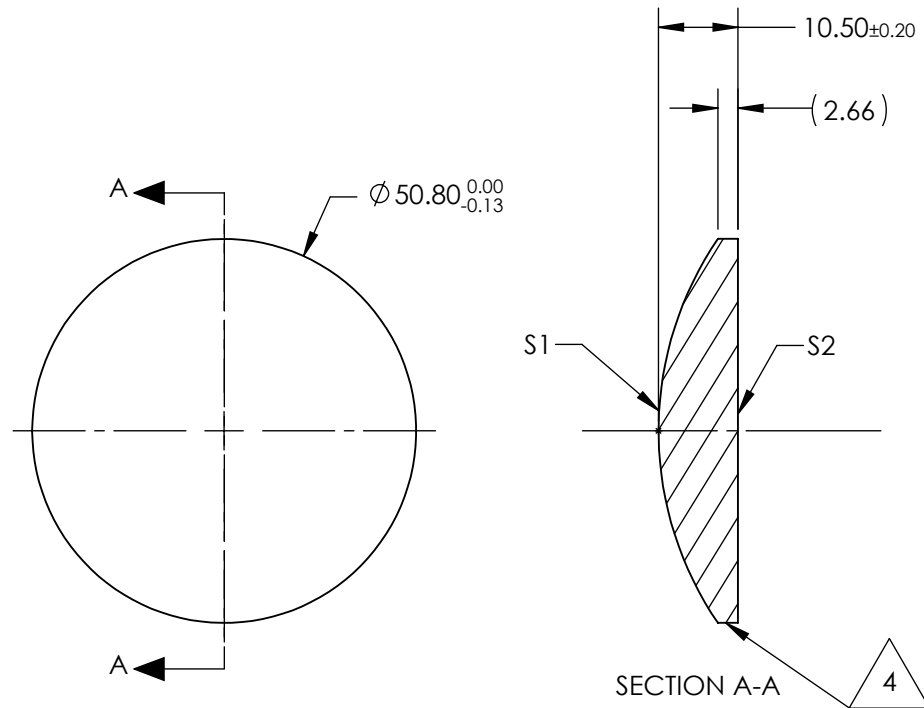
NOTES:

1. SUBSTRATE:
Barium Fluoride (BaF2)
2. CENTERING TOLERANCE:
<3 ARCMIN
3. COATING (APPLY ACROSS CLEAR APERTURE)
S1 & S2: NONE

4. FINE GRIND SURFACE


5. FOCAL LENGTH TOLERANCE: ±2%

6. ROHS COMPLIANT



**FOR INFORMATION ONLY:
DO NOT MANUFACTURE
PARTS TO THIS DRAWING**

SPECIFICATIONS SUBJECT TO CHANGE WITHOUT NOTICE
DIMENSIONS ARE FOR REFERENCE ONLY

	S1	S2	EFL @ 5µm	100.0	 Edmund Optics®	
SHAPE	CONVEX	PLANO	BFL @ 5µm	92.71		
RADIUS	45.08	INFINITY			TITLE	50.8mm Dia. x 100mm FL, Uncoated, ISP Optics Barium Fluoride (BaF2) PCX Lens
IRREGULARITY AT 632.8nm	λ	λ			DWG NO	24755
SURFACE QUALITY	60-40	60-40	ALL DIMS IN	mm		
CLEAR APERTURE	ø45.72	ø45.72				
BEVEL	PROTECTED AS NEEDED	PROTECTED AS NEEDED				