

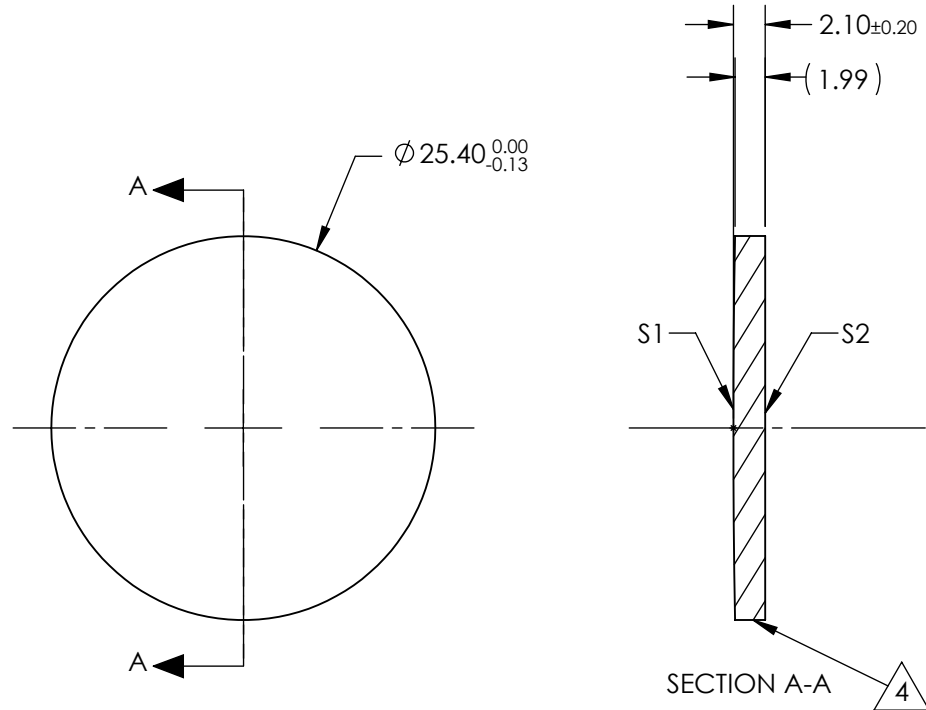
NOTES:

1. SUBSTRATE:
Germanium (Ge)
2. CENTERING TOLERANCE:
<3 ARCMIN
3. COATING (APPLY ACROSS CLEAR APERTURE)
S1 & S2: R(AVG) <5.0% @ 3 - 12µm

4. FINE GRIND SURFACE

5. FOCAL LENGTH TOLERANCE: ±2%

6. ROHS COMPLIANT



**FOR INFORMATION ONLY:
DO NOT MANUFACTURE
PARTS TO THIS DRAWING**

SPECIFICATIONS SUBJECT TO CHANGE WITHOUT NOTICE
DIMENSIONS ARE FOR REFERENCE ONLY

	S1	S2	EFL @ 10.6µm	254.0	 Edmund Optics®		
SHAPE	CONVEX	PLANO	BFL @ 10.6µm	248.55			
RADIUS	748.2	INFINITY			TITLE	25.4mm Dia. x 254mm FL, 3 - 12µm Coated, ISP Optics Germanium (Ge) PCX Lens	
IRREGULARITY AT 10.6µm	λ/20	λ/20			DWG NO	24877	SHEET
SURFACE QUALITY	60-40	60-40	ALL DIMS IN	mm			
CLEAR APERTURE	ø22.86	ø22.86					
BEVEL	PROTECTED AS NEEDED	PROTECTED AS NEEDED					