
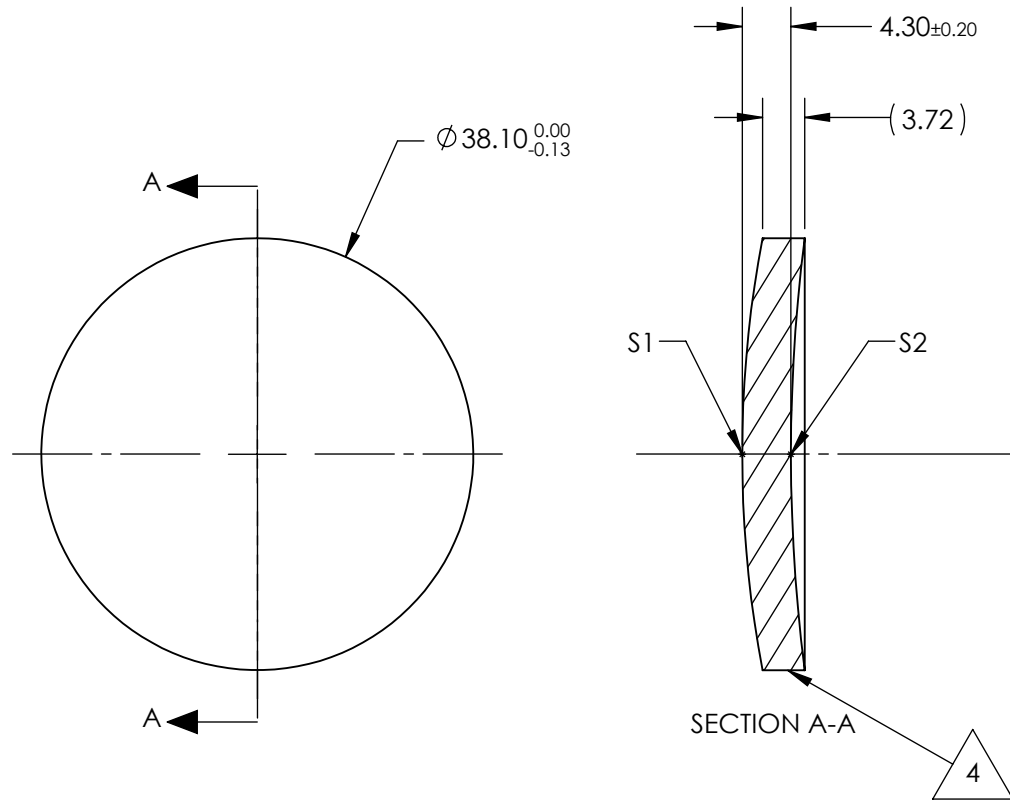

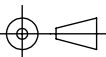


NOTES:

1. SUBSTRATE:
Germanium (Ge)
2. CENTERING TOLERANCE:
<3 ARCMIN
3. COATING (APPLY ACROSS CLEAR APERTURE)
S1 & S2: NONE
4.  FINE GRIND SURFACE
5. FOCAL LENGTH TOLERANCE: ±2%
6. ROHS COMPLIANT



**FOR INFORMATION ONLY:
DO NOT MANUFACTURE
PARTS TO THIS DRAWING**

	S1	S2	EFL @ 10.6µm	100	SPECIFICATIONS SUBJECT TO CHANGE WITHOUT NOTICE DIMENSIONS ARE FOR REFERENCE ONLY		
SHAPE	CONVEX	CONCAVE	BFL @ 10.6µm	95.94			 Edmund Optics® 38.1mm Dia. x 100mm FL, Uncoated, ISP Optics Germanium (Ge) Meniscus Lens
RADIUS	102.33	151.05	THIRD ANGLE PROJECTION		TITLE		
IRREGULARITY AT 10.6µm	λ/20	λ/20	ALL DIMS IN	mm	DWG NO	24834	SHEET 1 OF 1
SURFACE QUALITY	60-40	60-40					
CLEAR APERTURE	ø34.29	ø34.29					
BEVEL	PROTECTED AS NEEDED	PROTECTED AS NEEDED					