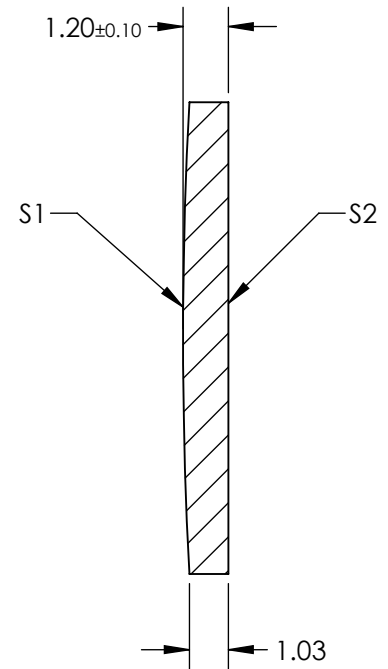
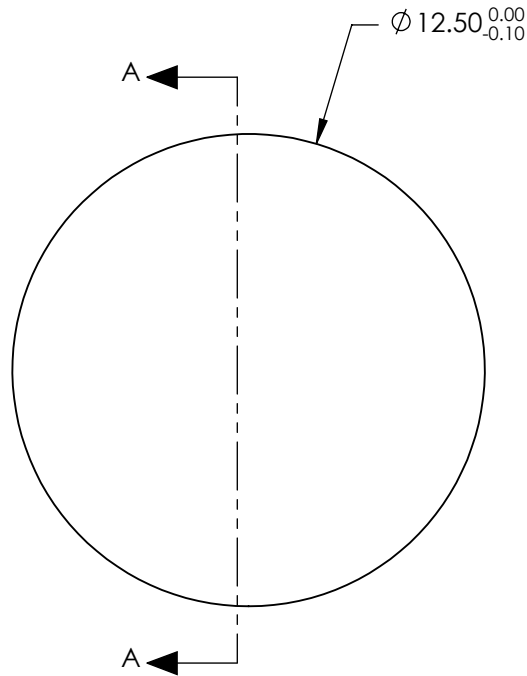


NOTES:

1. SUBSTRATE: GERMANIUM
2. COATING (APPLY ACROSS CLEAR APERTURE)
S1 & S2: Ravg <5.0% @ 3 - 12µm
3. EDGES: FINE GROUND
4. CENTERING: <3 ARMIN
5. ROHS COMPLIANT



**FOR INFORMATION ONLY:
DO NOT MANUFACTURE
PARTS TO THIS DRAWING**

SPECIFICATIONS SUBJECT TO CHANGE WITHOUT NOTICE
DIMENSIONS ARE FOR REFERENCE ONLY

	S1	S2
SHAPE	CONVEX	PLANO
RADIUS	112.65	∞
SURFACE QUALITY	60 - 40	60 - 40
CLEAR APERTURE	Ø 11.25	Ø 11.25
BEVEL	PROTECTED AS NEEDED	PROTECTED AS NEEDED

THIRD ANGLE PROJECTION

ALL DIMS IN

mm

 **Edmund Optics®**

TITLE

12.5mm Dia. x 37.5mm FL, 3 - 12µm Coated,
Ge Plano-Convex Lens

DWG NO

25566

SHEET
11 OF 12