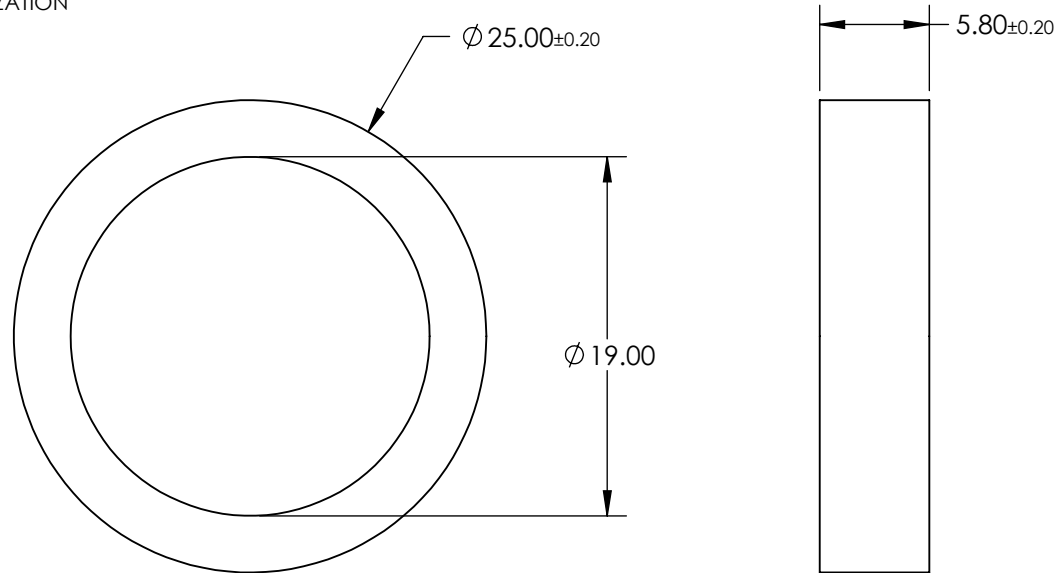
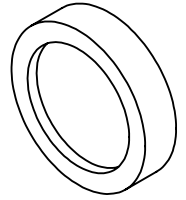


NOTES:

1. SUBSTRATE: WIRE GRID ON DISPLAY GRADE GLASS
2. EXTINCTION RATIO:
  - 1100:1 @ 900nm
  - 3000:1 @ 1400nm
  - 5500:1 @ 1900nm
  - 5900:1 @ 2400nm
3. TRANSMISSION (%):
  - >81.5 @ 900nm
  - >87.7 @ 1400nm
  - >88.9 @ 1900nm
  - >88.6 @ 2400nm
4. WAVELENGTH RANGE: 700 - 2500nm
5. ORIENTATION OF AXIS:  $0^\circ \pm 20^\circ$   
 NOTCHES ON POLARIZING FILM DEPICT DIRECTION OF POLARIZATION
6. ROHS COMPLIANT



**FOR INFORMATION ONLY:  
DO NOT MANUFACTURE  
PARTS TO THIS DRAWING**

SPECIFICATIONS SUBJECT TO CHANGE WITHOUT NOTICE  
 DIMENSIONS ARE FOR REFERENCE ONLY



THIRD ANGLE PROJECTION		TITLE	NIR Wire Grid Polarizer, HC, 700nm-2500nm, 25mm Dia.	
ALL DIMS IN	mm	DWG NO	26994	SHEET 2 OF 6