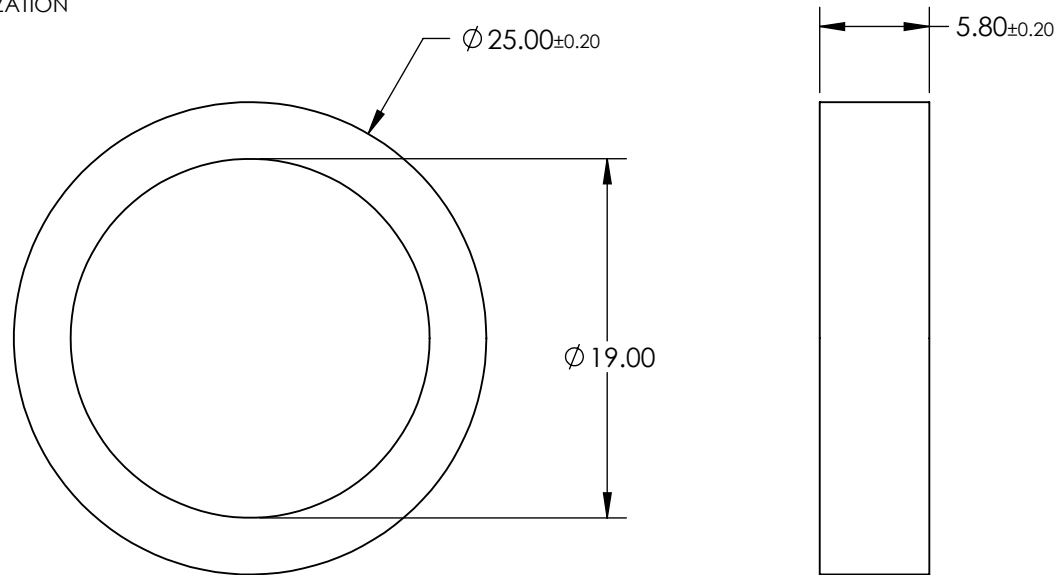
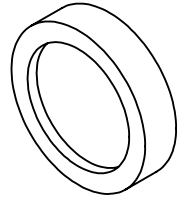


NOTES:

1. SUBSTRATE: WIRE GRID ON DISPLAY GRADE GLASS
2. EXTINCTION RATIO:
 150:1 @ 900nm
 500:1 @ 1400nm
 800:1 @ 1900nm
 1000:1 @ 2400nm
3. TRANSMISSION (%):
 >88.1 @ 900nm
 >91.0 @ 1400nm
 >91.3 @ 1900nm
 >90.3 @ 2400nm
4. WAVELENGTH RANGE: 700 - 2500nm
5. ORIENTATION OF AXIS: $0^\circ \pm 20^\circ$
 NOTCHES ON POLARIZING FILM DEPICT DIRECTION OF POLARIZATION
6. ROHS COMPLIANT



**FOR INFORMATION ONLY:
 DO NOT MANUFACTURE
 PARTS TO THIS DRAWING**

SPECIFICATIONS SUBJECT TO CHANGE WITHOUT NOTICE
 DIMENSIONS ARE FOR REFERENCE ONLY



THIRD ANGLE PROJECTION		TITLE	NIR Wire Grid Polarizer, HT, 700nm-2500nm, 25mm Dia.	
ALL DIMS IN	mm	DWG NO	26999	SHEET 5 OF 6