

[See all 11 Products in Family](#)

20X T0.7 Mitutoyo LCD Plan UV Infinity Corrected Objective

See More by [Mitutoyo](#)



Stock **#23-605** 3-5 DAYS

⊖ 1 ⊕ **SS\$28,971⁰⁰**

ADD TO CART

Qty 1+

SS\$28,971.00

Volume Pricing

[Request Quote](#)

Product Downloads

SPECIFICATIONS

General

Model Number:
378-892-8

Compatible Tube Lens Focal Length (mm):
Focal Length: 200mm

Type:
Microscope Objective

Note:
0.7mm thick LCD cover-glass
Example Application: High magnification inspection through liquid crystal glass (LCD) or cutting and trimming of semiconductor wafer and circuits

Style:
Infinity Corrected

Manufacturer:
Mitutoyo

Physical & Mechanical Properties

Length excluding Threads (mm):
80.00

Maximum Diameter (mm):
34

Weight (g):
370.00

Optical Properties

Compatible Cover Glass Thickness (mm):
0.7

Design Wavelength DWL (nm):
266, 532

Horizontal Field of View, 1/2" Sensor:
0.32mm

Horizontal Field of View, 2/3" Sensor:
0.44mm

Focal Length FL (mm):
10.00

Magnification:
20X

Numerical Aperture NA:
0.37

Resolving Power (μm):
0.7

Depth of Field (μm):
2.00

Field of View, 24 Diameter Field Eyepiece (mm):
1.2

Field of View, 18 Diameter Field Eyepiece (mm):
0.9

Working Distance (mm):
14.98

Parfocal Length (mm):
95.22

Immersion Liquid:
N/A

Sensor

Maximum Sensor Format:
2/3"

Threading & Mounting

Mounting Threads:
M26 x 36 TPI

Environmental & Durability Factors

Performance Assurance Temperature (°C):
23 ±2

Regulatory Compliance

RoHS 2015:
[Exempt](#)

Certificate of Conformance:
[View](#)

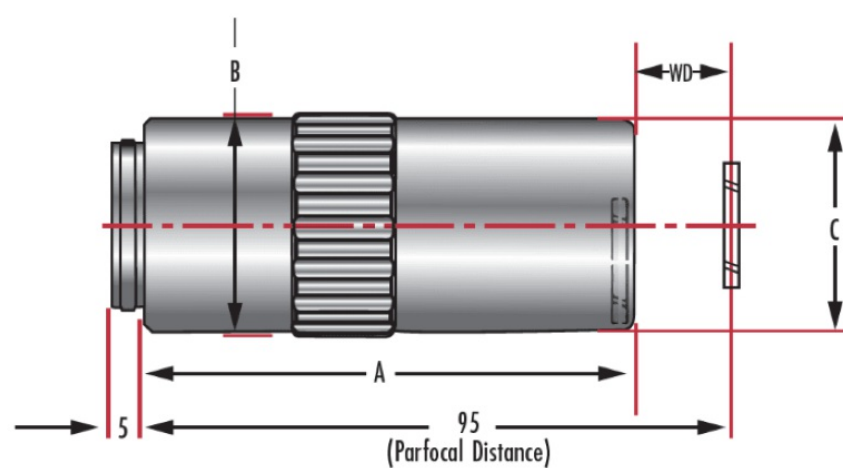
REACH 241:
[Contains SVHC\(s\)](#)

PRODUCT DETAILS

- Ideal for Brightfield Imaging and Laser-Based Applications through LCD Glass
- Excellent Performance at Nd:YAG Laser Lines
- Compensate for Cover-Glass Thickness of 0.7mm or 1.1mm

Mitutoyo NIR, NUV, and UV LCD Infinity Corrected Objectives combine the benefits of the standard MPlan Apo and MPlan Apo SL series objectives with enhanced spectral ranges. The NIR objectives are corrected from 480 to 1800nm, making them ideal for semiconductor and telecommunication inspection, or for laser cutting with common Nd:YAG lasers. The HR series offers an increased numerical aperture, providing smaller spot sizes and higher resolution. Mitutoyo NIR, NUV, and UV LCD Infinity Corrected Objectives compensate for common LCD glass thicknesses. The NUV and UV series of objectives have excellent performance at the second, third, and fourth Nd:YAG harmonics of 532nm, 355nm, and 266nm respectively.

TECHNICAL INFORMATION



Units: mm

Dimensions				
M Plan NIR	A (mm)	B (mm)	C (mm)	W.D. (mm)
20X T0.7	75.00	34	32.2	20.0
20X T1.1	75.02	34	32.2	19.98
50X T0.7	77.74	34	32.2	9.60
50X T1.1	77.87	34	32.2	17.13
100X	82.94	34	32.2	12.06
HR 100X	85.13	39	37	9.87
M Plan NUV	A (mm)	B (mm)	C (mm)	W.D. (mm)
20X T0.7	78	34	32.2	16.96
50X T0.7	80	34	32.2	14.76
M Plan UV	A (mm)	B (mm)	C (mm)	W.D. (mm)
20X T0.7	80	34	32.2	14.98
50X T0.7	83	34	32.2	12.38