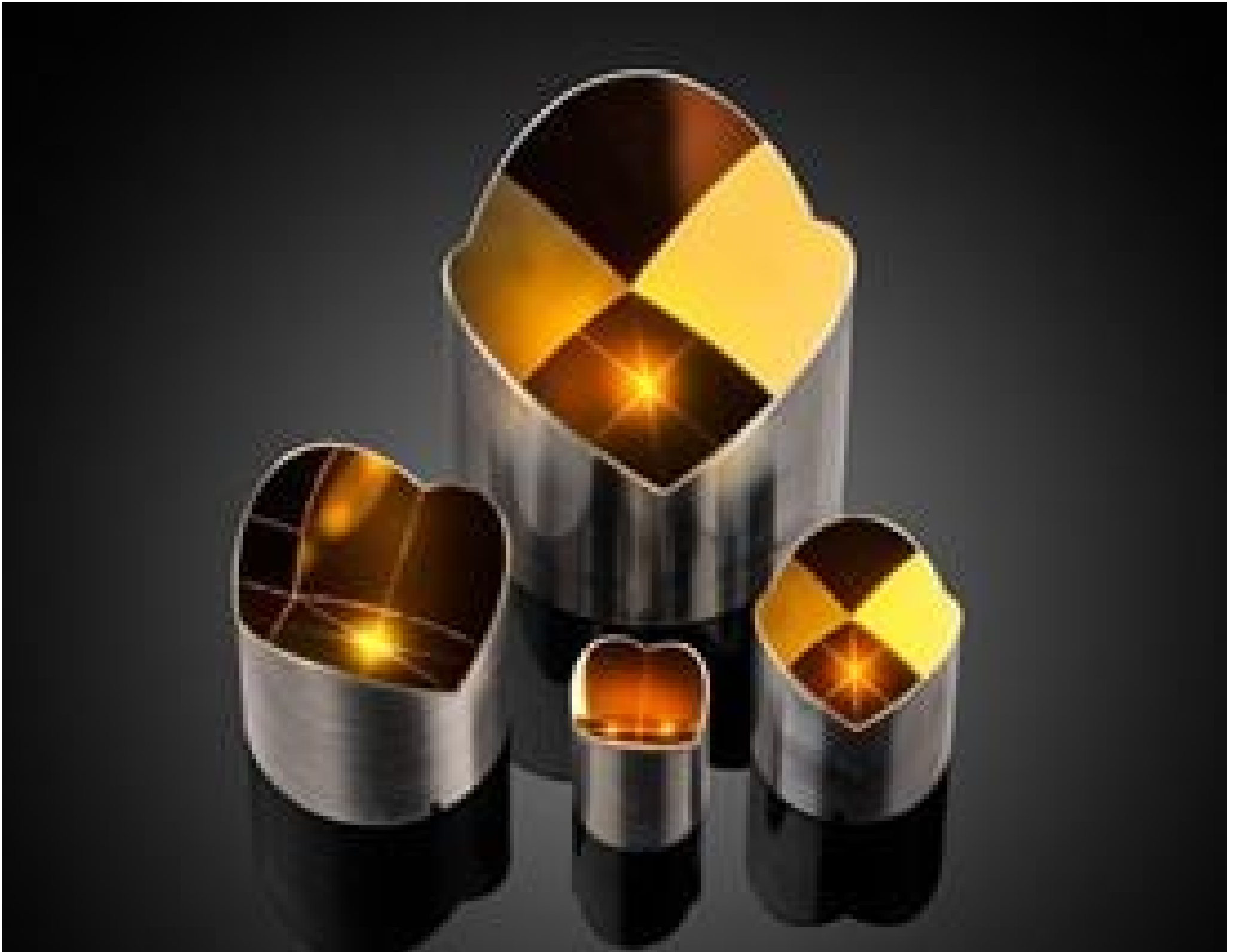


38.1mm Dia., 10 Arcsec, Bare Gold Replicated Hollow Metal Retroreflector



Replicated Hollow Metal Retroreflectors

Stock #15-904 3-5 DAYS

⊖ 1 ⊕ **\$797⁵⁰**

ADD TO CART

Qty 1-9

\$797.50

Qty 10+

\$717.75

Volume Pricing

[Request Quote](#)

Product Downloads

SPECIFICATIONS

General

Type:
Retroreflector

Style:

Physical & Mechanical Properties

Clear Aperture CA (mm):
35.56

Diameter (mm):
38.10

Height (mm):
39.64

Dimensional Tolerance (mm):
+0.025/-0.051

Optical Properties

Beam Deviation (arcsec):
10

Coating:
Bare Gold

Substrate:
Aluminum

Surface Quality:
60-40

Image Orientation:
Left-Handed

Coating Specification:
R_{avg} >94% @ 700 - 800nm
R_{avg} >97% @ 800 - 2000nm
R_{avg} >98% @ 2 - 12μm

Ray Deviation (°):
180

Wavelength Range (nm):
700 - 12000

Threading & Mounting

Mounting Threads:
10-24

Regulatory Compliance

RoHS:
[Compliant](#)

Certificate of Conformance:
[View](#)

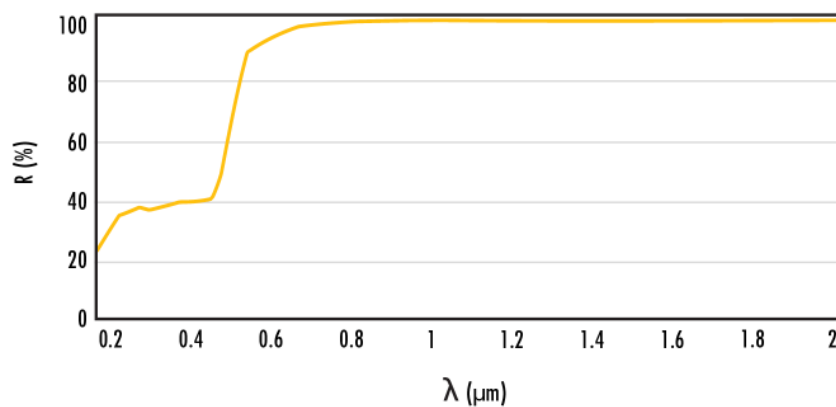
PRODUCT DETAILS

- Monolithic Aluminum Construction
- Return Beam Accuracy Unaffected by Vibration
- Bare Gold Coated for High Reflectivity in the Infrared
- Low Profile Versions are Available

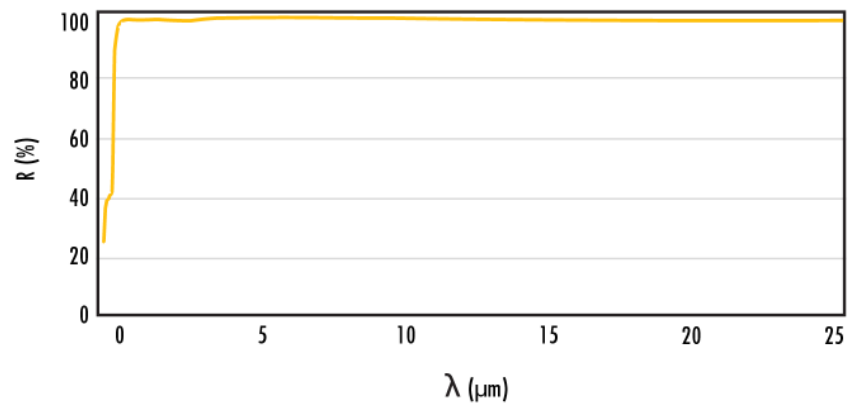
Replicated Hollow Metal Retroreflectors feature a monolithic aluminum construction and an integrated mount to provide return beam performance unaffected by vibration. These retroreflectors are coated on their first surface with bare gold, maximizing their reflectivity in the infrared (IR). Designed to have the entirety of their optical path in air, these retroreflectors do not require antireflection coatings for optimal performance and can be used over wider wavelength ranges than glass retroreflectors. Replicated Hollow Metal Retroreflectors are ideal for applications where an optical path through a glass prism is undesired, reduced weight is required, or where high shock and vibration levels are expected. The replication manufacturing process of these optics enables cost-effective designs while providing high performance beam return accuracy.

TECHNICAL INFORMATION

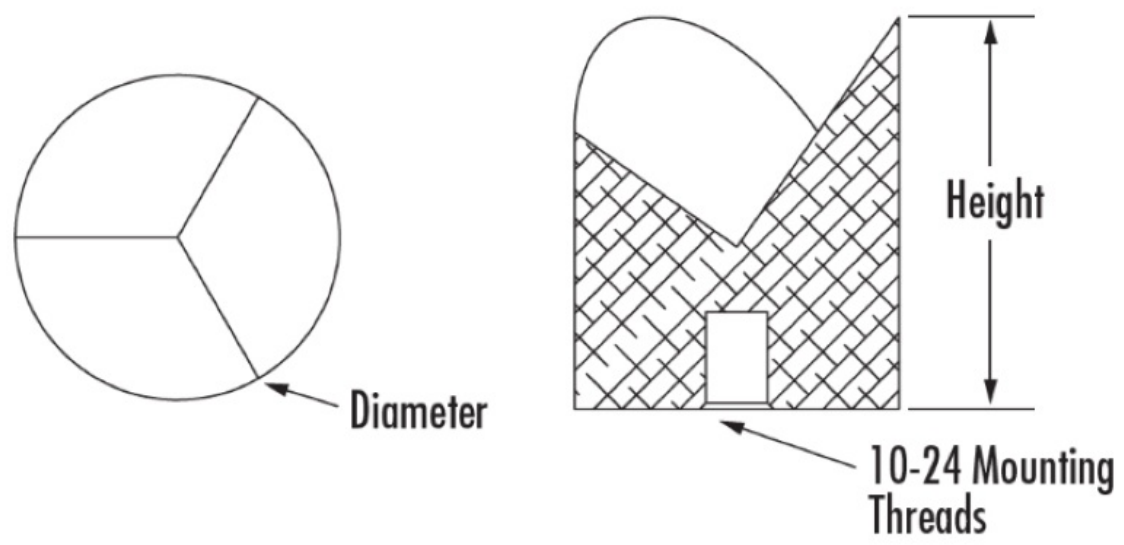
**Bare Gold Coating
Typical Reflectance**



**Bare Gold Coating
Typical Reflectance**



Diameter (mm)	Height (mm)	Mounting Threads	Coating	Stock No.	
				5 Arcseconds	10 Arcseconds
12.7	21.68	10-24	Bare Gold	#15-897	#15-898
19.1	26.17	10-24	Bare Gold	#15-899	#15-900
25.4	30.66	10-24	Bare Gold	#15-901	#15-902
38.1	39.64	10-24	Bare Gold	#15-903	#15-904



Dimension A (mm)	Dimension B (mm)	Dimension C (mm)	Coating	Stock No.		
				2 Arcseconds	5 Arcseconds	10 Arcseconds
12.7	8.63	12.8	Bare Gold	N/A	#23-854	#23-855
25.4	21.69	20.32	Bare Gold	#23-856	#23-857	#23-858

